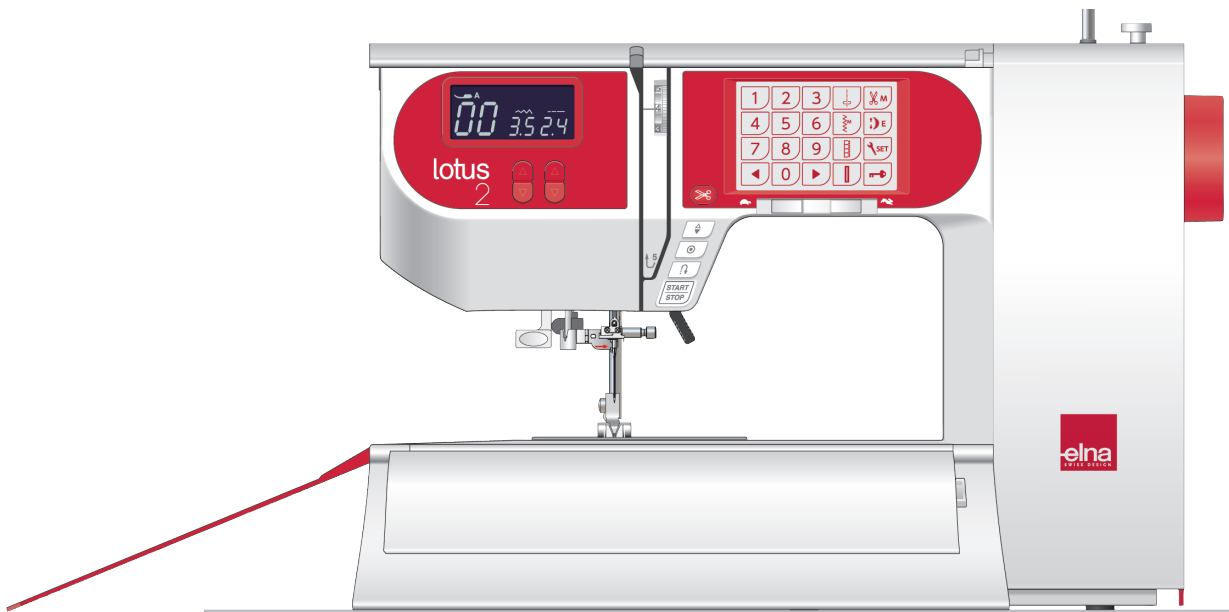


lotus 2

| Instruction Manual |



IMPORTANT SAFETY INSTRUCTIONS

When using an electrical appliance, basic safety precautions should always be followed, including the following:

This sewing machine is designed and manufactured for household use only.

Read all instructions before using this sewing machine.

DANGER — To reduce the risk of electric shock:

1. An appliance should never be left unattended when plugged in. Always unplug this sewing machine from the electric outlet immediately after using and before cleaning.

WARNING — To reduce the risk of burns, fire, electric shock, or injury to persons:

1. Do not allow to be used as a toy. Close attention is necessary when this sewing machine is used by or near children.
2. Use this appliance only for its intended use as described in this owner's manual. Use only attachments recommended by the manufacturer as contained in this owner's manual.
3. Never operate this sewing machine if it has a damaged cord or plug, if it is not working properly, if it has been dropped or damaged, or dropped into water. Return this sewing machine to the nearest authorized dealer or service center for examination, repair, electrical or mechanical adjustment.
4. Never operate the appliance with any air opening blocked. Keep ventilation openings of this sewing machine and foot controller free from accumulation of lint, dust and loose cloth.
5. Never drop or insert any object into any opening.
6. Do not use outdoors.
7. Do not operate where aerosol (spray) products are being used or where oxygen is being administered.
8. To disconnect, turn all controls to the off ("O") position, then remove plug from outlet.
9. Do not unplug by pulling on cord. To unplug, grasp the plug, not the cord.
10. Keep fingers away from all moving parts. Special care is required around the sewing machine needle and/or cutting blade.
11. Always use the proper needle plate. The wrong plate can cause the needle to break.
12. Do not use bent needles.
13. Do not pull or push fabric while stitching. It may deflect the needle causing it to break.
14. Switch this sewing machine off ("O") when making any adjustment in the needle area, such as threading the needle, changing the needle, threading the bobbin or changing the presser foot, and the like.
15. Always unplug this sewing machine from the electrical outlet when removing covers, lubricating, or when making any other adjustments mentioned in this owner's manual.

SAVE THESE INSTRUCTIONS

For Europe only:

This appliance can be used by children aged from 8 years and above and persons with reduced physical, sensory or mental capabilities or lack of experience and knowledge if they have been given supervision or instruction concerning use of the appliance in a safe way and understand the hazards involved. Children shall not play with the appliance. Cleaning and user maintenance shall not be made by children without supervision.

For outside Europe (except U.S.A and Canada):

This appliance is not intended for use by persons (including children) with reduced physical, sensory or mental capabilities, or lack of experience and knowledge, unless they have been given supervision or instruction concerning use of the appliance by a person responsible for their safety. Children should be supervised to ensure that they do not play with the appliance.



Please note that on disposal, this product must be safely recycled in accordance with relevant National legislation relating to electrical/electronic products. If in doubt please contact your retailer for guidance. (European Union only)

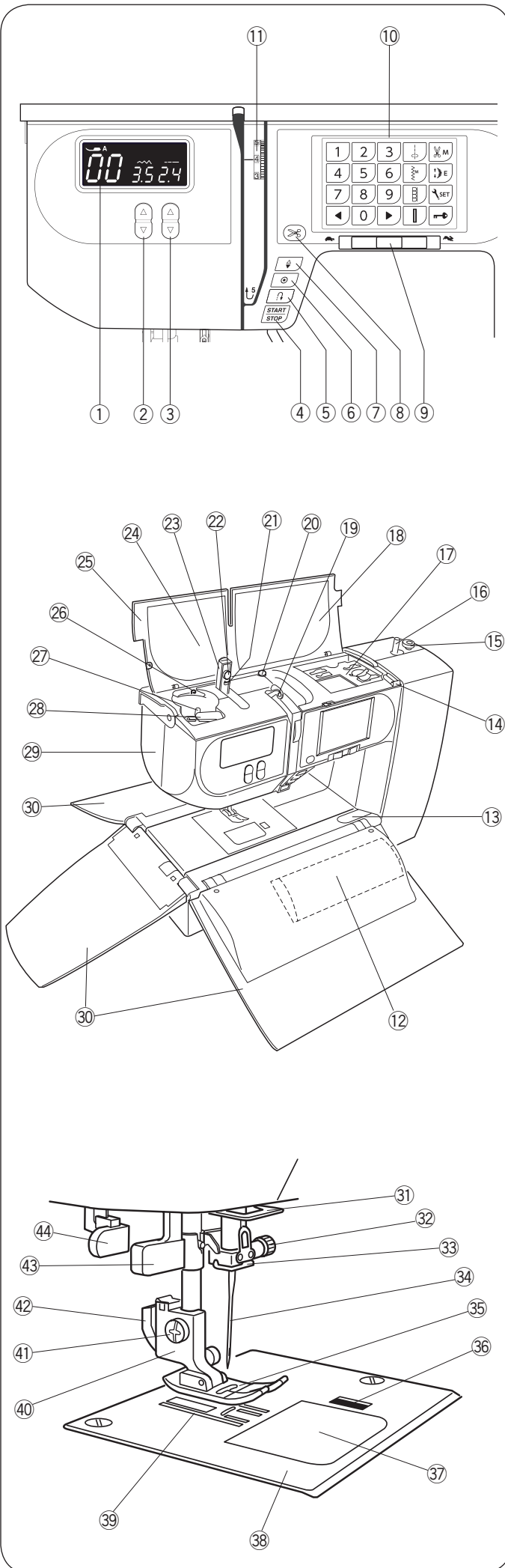
TABLE OF CONTENTS

ESSENTIAL PARTS	
Names of Parts.....	3-4
Standard Accessories	4
Accessory Storages	5
Protection Flaps	6
• Opening and closing protection flaps.....	6
• Detaching the protection flaps	6
• Attaching the protection flaps	6
• Free-arm sewing	6
GETTING READY TO SEW	
Connecting the Power Supply.....	7-8
Using the foot control	7
Before Using Your Sewing Machine.....	7
Operating Instructions:.....	7
Using the start/stop button	8
Controlling Sewing Speed.....	8
Speed control slider	8
Foot control	8
Machine Operating Buttons.....	9-10
Start/Stop button	9
Reverse button	9
Auto-lock button	9
Needle up/down button	10
Thread cutter button.....	10
Stitch width adjusting button	10
Stitch length adjusting button.....	10
LCD Display.....	11
Touch Panel.....	11
Arrow keys.....	11
Numeral keys.....	11
Direct pattern selection keys	11
Thread cut memory key.....	11
Elongation key	11
Set key.....	11
Lockout key	11
Selecting the Patterns	12
Direct pattern selection	12
Presser Foot Lifter.....	13
Changing the Presser Foot	13
Removing and Attaching the Foot Holder	13
Adjusting the Needle Thread Tension	14-15
Straight stitch balanced tension	14
Zigzag stitch balanced tension.....	15
Dropping or Raising the Feed Dog.....	16
Changing the Needle.....	17
Fabric, Thread and Needle Chart.....	17
Bobbin Winding	18-20
Removing the bobbin	18
Setting the spool	18
Winding the bobbin	19
Inserting the bobbin.....	20
Threading the Machine.....	21
Needle Threader	22
Drawing up the Bobbin Thread	23
Setting Mode	24-26
Buzzer sound setting.....	24
Needle stop position setting.....	24
Key position adjustment setting	25
Resetting all to default.....	26
BASIC SEWING	
Straight Stitch Sewing	27
Starting to sew.....	27
Securing seams.....	27
Cutting threads.....	27
Auto Thread Cutting	28
Changing Sewing Direction.....	28
Sewing from the Edge of Thick Fabric	28
Using Seam Guides	29
Turning Square Corners	29
Altering the Needle Drop Position	30
Altering the Stitch Length	30
Variety of Straight Stitches	31-32
Lock-a-matic Stitch.....	31
Locking Stitch.....	31
Triple Stretch Stitch	31
Stretch Stitch	32
Sculpture Stitches	32
Zigzag Stitch.....	33
Altering the stitch width	33
Altering the stitch length	33
Variety of Overcasting Stitches	34
Multiple Zigzag Stitch	34
Knit Stitch	34
Super Overlock Stitch.....	34
Attaching Elastic.....	35
Buttonholes	36-43
Square Buttonhole.....	37-39
Altering the buttonhole width.....	39
Altering the buttonhole density.....	39
Round-end and Fine Fabric Buttonhole	40
Keyhole Buttonhole	40
Stretch Buttonhole and Antique Buttonhole	40
Corded Buttonhole	41
Welted Buttonhole.....	42-43
Darning Stitch.....	44
Tacking	45
Eyelet.....	46
Zipper Sewing	47-49
Blind Hemming.....	50
Button Sewing	51
Rolled Hem.....	52
Gathering.....	53
DECORATIVE STITCHES	
Patchwork.....	54
Angle scale on the needle plate	54
Shell tuck.....	54
Lingerie Stitch.....	55
Applique	55
Pintucks	56
Fringing.....	56
Drawn Work.....	57
Cross Stitch	57
Corded Trim.....	58
Single Cord For Gathering Heavy Fabric	58
Fagoting.....	58
French Knots.....	59
Scallop Stitch.....	59
Smocking.....	59
Stippling Stitch.....	60
Clasp Stitch	60
Satin Stitches	61
Elongation ratio	61
Decorative Stitches	61
CARE OF YOUR MACHINE	
Cleaning the Hook Race and Feed Dog	62
Installing the Bobbin Holder	62
Correcting Distorted Stretch Stitch Patterns	63
Problems and Warning Signals	64
Troubleshooting.....	65
Stitch Chart.....	66
EC DECLARATION OF CONFORMITY	67

ESSENTIAL PARTS

Names of Parts

- ① LCD display
- ② Stitch width adjusting buttons
- ③ Stitch length adjusting buttons
- ④ Start/stop button
- ⑤ Reverse button
- ⑥ Auto-lock button
- ⑦ Needle up/down button
- ⑧ Thread cutter button
- ⑨ Speed control slider
- ⑩ Touch panel
- ⑪ Thread tension dial
- ⑫ Accessory drawer
- ⑬ Protection flaps unlock button
- ⑭ Protection flaps release lever
- ⑮ Bobbin winder stopper
- ⑯ Bobbin winder spindle
- ⑰ Accessory storage
- ⑱ Stitch reference chart
- ⑲ Thread take-up lever
- ⑳ Thread guide (B)
- ㉑ Bobbin winder thread guide (B)
- ㉒ Bobbin winder thread guide (A)
- ㉓ Retractable thread guide
- ㉔ Threading chart
- ㉕ Top cover
- ㉖ Thread guide (A)
- ㉗ Spool pin
- ㉘ Spool thread guide
- ㉙ Face cover
- ㉚ Protection flaps
- ㉛ Lower thread guide
- ㉜ Needle clamp screw
- ㉝ Needle bar thread guide
- ㉞ Needle
- ㉟ Presser foot
- ㊱ Hook cover release button
- ㊲ Hook cover plate
- ㊳ Needle plate
- ㊴ Feed dog
- ㊵ Foot holder
- ㊶ Setscrew
- ㊷ Lever
- ㊸ Needle threader
- ㊹ Buttonhole lever

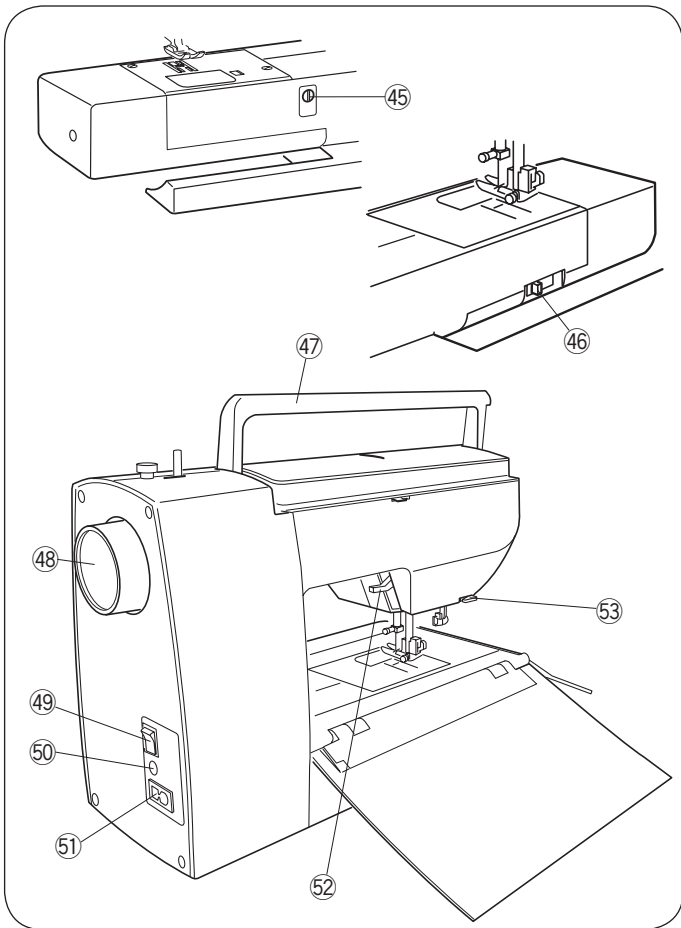


NOTE:

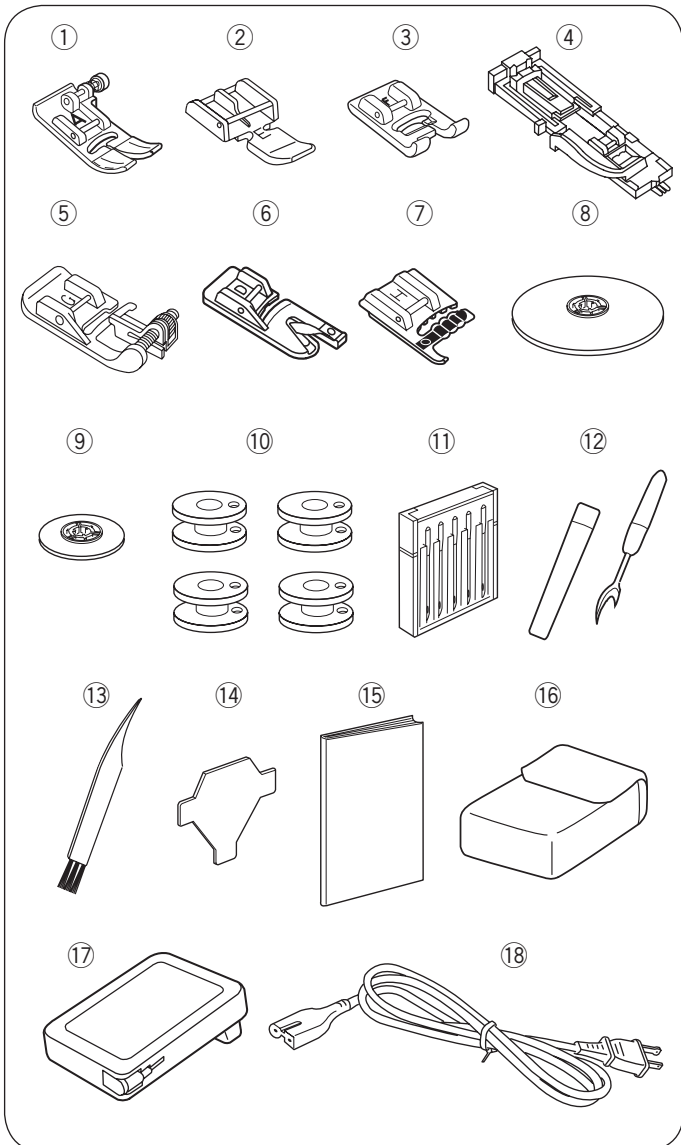
To carry the sewing machine, hold the carrying handle with your hand, and support the sewing machine with the other hand.

NOTE:

Design and specifications are subject to change without prior notice.



- ④⑤ Feed adjusting screw
- ④⑥ Drop feed lever
- ④⑦ Carrying handle
- ④⑧ Handwheel
- ④⑨ Power switch
- ⑤⑩ Foot control jack
- ⑤⑪ Machine inlet
- ⑤⑫ Presser foot lifter
- ⑤⑬ Thread cutter



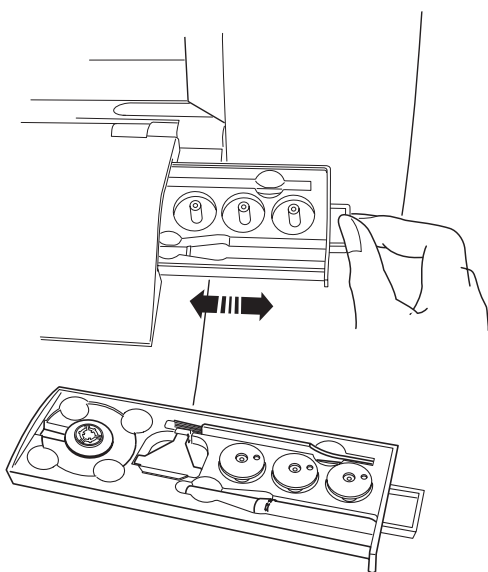
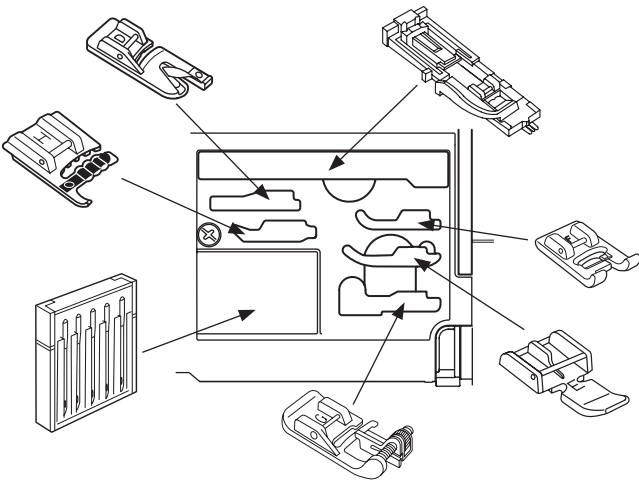
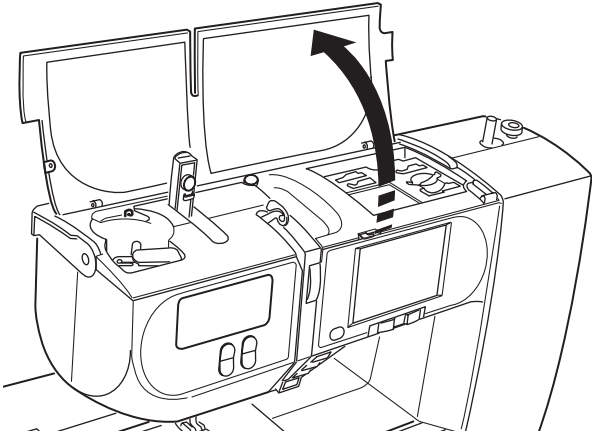
Standard Accessories

No.	Part Name	Part No.	
1	Zigzag foot A (Set on the machine)	832523007	
2	Zipper foot E	808852003	
3	Satin stitch foot F	822804118	
4	Automatic buttonhole foot R	753801004	
5	Blind hemming foot G	820817015	
6	Rolled hem foot D	820809014	
7	Cording foot H	820819006	
8	Spool holder (large) (Set on the machine)	809810002	
9	Spool holder (small)	809811003	
10	Bobbin X 4 (1 set on the machine)	102261103	
11	Assorted needle set	540401026	
12	Seam ripper (Buttonhole opener)	647808009	
13	Lint brush	802424004	
14	Screwdriver	653802002	
15	Instruction book	809850509	
16	Foot control case	809814109	
17	Foot control	043271133	
18	Power cable*	U.S.A and Canada	856519004
		U.K.	830377008
		Australia	830314018
		Continental Europe	830335004

*The power cable included may differ from the illustration.

Accessory Storages

Accessories can be stored in the accessory storage and the accessory drawer. Open the top cover to access the accessory storage.



Open the protection flap (front) and pull the tab on the right side of the flap to open the accessory drawer.

! CAUTION:

When you store the foot control inside the closed flaps, follow the instructions below to avoid damage to product and injury to person.

- Do not place anything that may be caught between flaps and machine body when closing the flaps.
- Do not carry the machine with the foot control placed inside of the flaps.
- Do not turn the handwheel when the foot control is placed on the free arm.

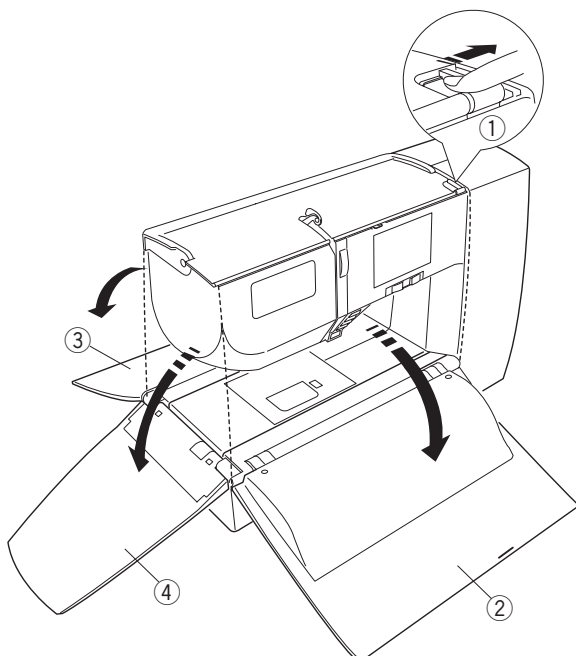
Protection Flaps

• Opening and closing protection flaps

To open the protection flaps, slide the protection flap release lever ① to the right.

To close the protection flaps, fold the rear and front flaps ② ③, then fold the left flap ④ until it snaps to the both flaps.

- ① Protection flaps release lever
- ② Protection flap (front)
- ③ Protection flap (rear)
- ④ Protection flap (left)



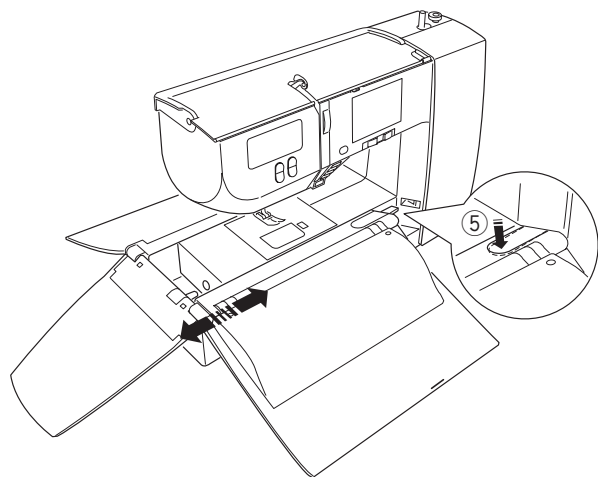
• Detaching the protection flaps

To detach the protection flaps, push down the protection flap unlock button, and pull the protection flaps away from the machine as illustrated.

- ⑤ Protection flaps unlock button

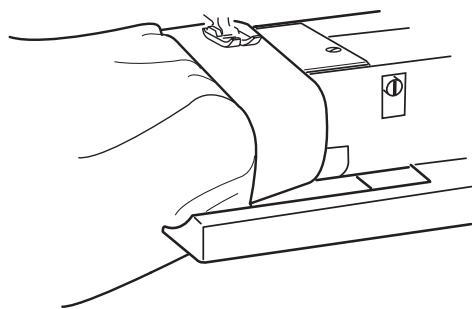
• Attaching the protection flaps

To attach the protection flaps, push the protection flaps, inserting the hook into the hole until it snaps into the machine.



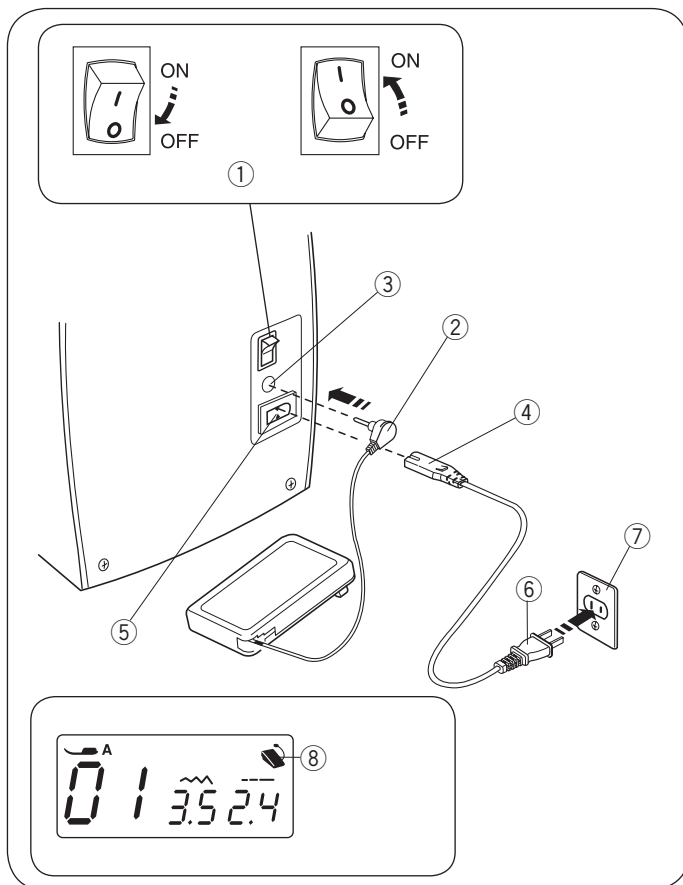
NOTE:

Do not carry the machine with the protection flaps open.



• Free-arm sewing

Free-arm sewing is useful for darning socks and mending the knee or cuff areas.



GETTING READY TO SEW

Connecting the Power Supply

Using the foot control

Turn off the power switch.

Pull the foot control cord from the foot control.

Insert the pin connector into the jack.

Insert the machine plug into the power inlet.

Insert the power supply plug into the wall outlet.

Turn on the power switch.

- ① Power switch
- ② Pin connector
- ③ Jack
- ④ Machine plug
- ⑤ Power inlet
- ⑥ Power supply plug
- ⑦ Wall outlet

The foot control sign will be displayed when the foot control is connected to the machine.

- ⑧ Foot control sign

NOTE:

Do not pull the cord of foot control beyond the red marker on the cord.

NOTE:

The machine will be initialized when turning on the power switch. Do not touch the machine while the machine is being initialized.

⚠ WARNING:

While in operation, always keep your eyes on the sewing area and do not touch any moving parts such as the thread take-up lever, handwheel or needle. Always turn off the power switch and unplug from the power supply:

- when leaving the machine unattended.
- when attaching or removing parts.
- when cleaning the machine.

Do not place anything on the foot control.

Before Using Your Sewing Machine

Before using your sewing machine for the first time, place a scrap of fabric under the presser foot and run the machine without thread for a few minutes. Wipe away any oil which may appear.

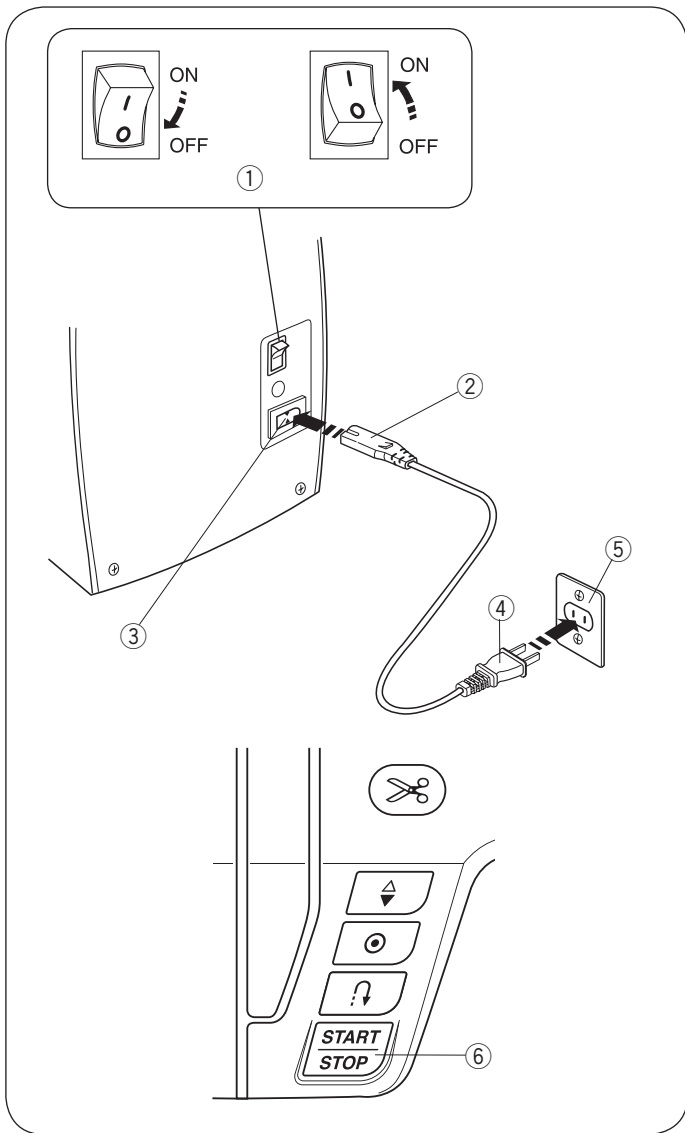
Operating Instructions:

The symbol "O" on the switch indicates the "off" position of the switch.

Foot control model 21371, YC-485-EC-1 or 4C-339JM is used with this sewing machine.

For the U.S.A and Canada only:

For appliances with a polarized plug (one blade wider than the other): To reduce the risk of electric shock, this plug is intended to fit in a polarized outlet only one way. If it still does not fit, contact a qualified electrician to install the proper outlet. Do not modify the plug in any way.



Using the start/stop button

Turn off the power switch.
 Insert the machine plug into the power inlet.
 Insert the power supply plug into the wall outlet.
 Turn on the power switch.

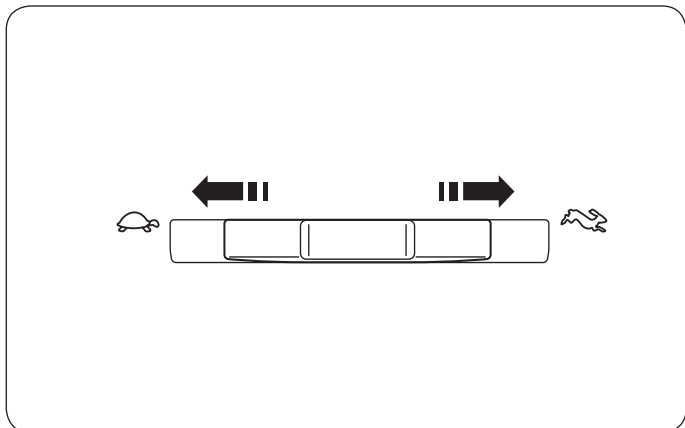
- ① Power switch
- ② Machine plug
- ③ Power inlet
- ④ Power supply plug
- ⑤ Wall outlet
- ⑥ Start/Stop button

NOTE:

The start/stop button does not work when the foot control is connected.

NOTE:

The machine will be initialized when turning on the power switch. Do not touch the machine while the machine is being initialized.

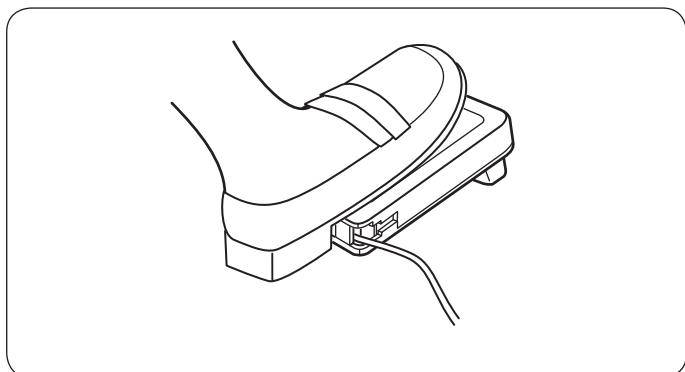


Controlling Sewing Speed

Speed control slider

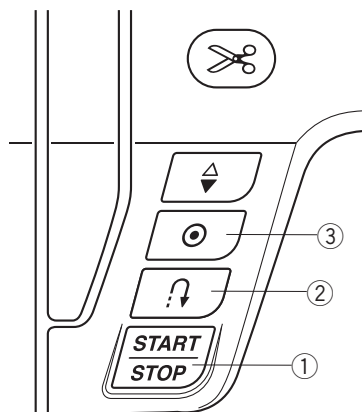
Sewing speed can be varied by the speed control slider according to your sewing needs.

To increase sewing speed, move the slider to the right.
 To decrease sewing speed, move the slider to the left.



Foot control

Depress the foot control to start the machine.
 The further down you press on the foot control, the faster the machine runs.
 The maximum sewing speed can be varied by the speed control slider.



Machine Operating Buttons

① Start/Stop button

Lower the presser foot lifter.

Press this button to start or stop the machine.

The machine starts running slowly for the first few stitches, and it then runs at the speed set by the speed control slider.

The machine runs slowly as long as this button is being pressed.

NOTE:

The start/stop button cannot be used when the foot control is connected to the machine.

② Reverse button

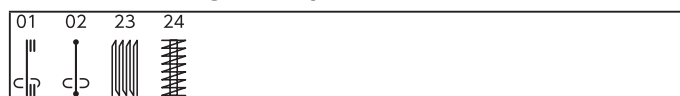
• When following stitch patterns are selected;



The machine will sew in reverse as long as the reverse button is pressed. Release the button to sew forward.

When the machine is stopped and foot control is disconnected, the machine will sew in reverse slowly as long as the reverse button is pressed. Release the button to stop the machine.

• When following stitch patterns are selected;



There will be particular functions of the reverse button when patterns shown above are selected. Refer to pages 31, 44 and 45 for instructions.

• When any other stitches are selected;

If you press the reverse button when sewing any other patterns, the machine will immediately sew locking stitches and automatically stop.

③ Auto-lock button

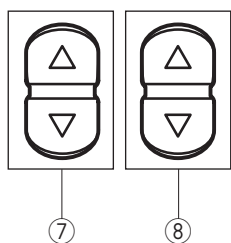
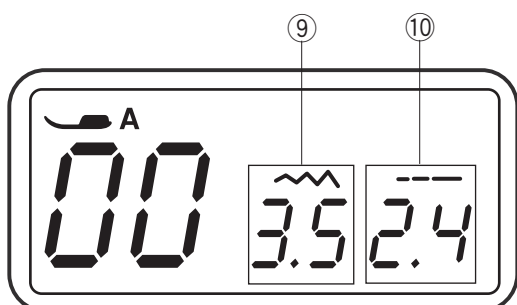
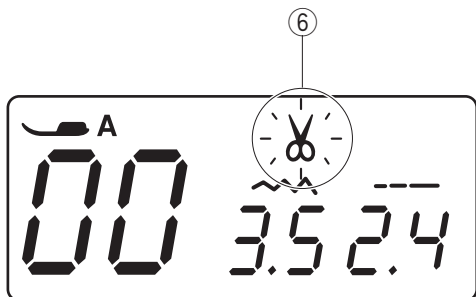
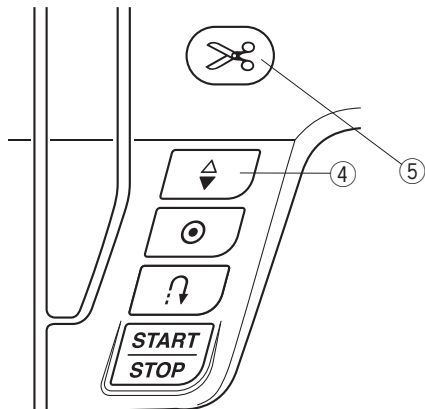
• When following stitch patterns are selected;



Press the auto-lock button to sew a locking stitch immediately. The machine will automatically stop.

• When any other stitches are selected;

Press the auto-lock button to sew a locking stitch at the end of current pattern. The machine will automatically stop.



④ Needle up/down button

Press the needle up/down button to bring the needle up or down.

⑤ Thread cutter button

Press the thread cutter button to trim the threads after sewing.

The thread cutter mark will blink ⑥ while the machine cuts the threads.

NOTE:

The thread cutter button does not function:

- directly after turning on the power.
- after being pressed 3 times in a row.

Use the thread cutter on the face cover if the thread is #30 or thicker (refer to page 27).

⑦ Stitch width adjusting button

Press “△” or “▽” to change the stitch width or needle drop position ⑨, depending on the selected stitch pattern. Refer to pages 30, 33 and 39.

⑧ Stitch length adjusting button

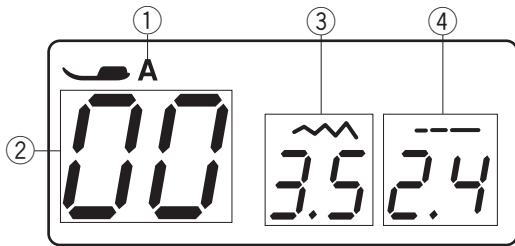
Press “△” or “▽” to change the stitch length ⑩ of the selected pattern. You can also adjust the buttonhole density, the evenness of darning, and the size of eyelet with this button. Refer to pages 30, 33 and 39.

LCD Display

NOTE:

Magnetic or electrostatic interference may cause the LCD display to flicker.
Do not use the machine near appliances that generate a magnetic field or an electrostatic field such as microwave ovens.

The LCD display shows following information when the machine is turned on.



- ① Identification letter of the recommended foot
- ② Stitch pattern number
- ③ Stitch width
- ④ Stitch length

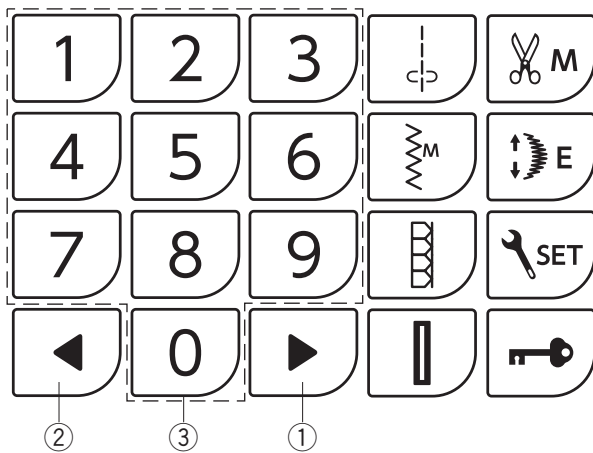
Touch Panel

① and ②) Arrow keys

Press “▶” ① or “◀” ② to select the stitch pattern, or turn the page in the setting mode (refer to pages 12 and 24-26).

③) Numeral keys

Enter a 2-digit number to select the desired stitch pattern (refer to page 12).



④) Direct pattern selection keys

You can select stitch patterns 00, 06, 12 and 16 directly by pressing the corresponding direct pattern selection key (refer to page 12).

⑤) Thread cut memory key

To cut the threads automatically after locking stitches, press the thread cutter memory key ⑤ (refer to page 28).

⑥) Elongation key

Press this key to elongate satin stitch patterns (refer to page 61).

⑦) Set key

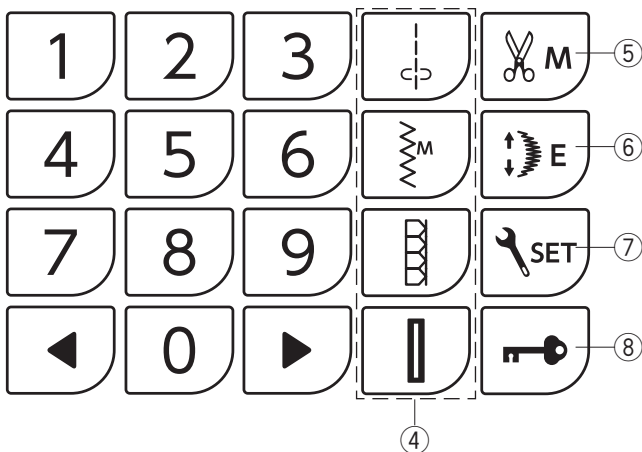
Press this key to enter the machine setting mode for customizing the machine settings (refer to page 24-26).

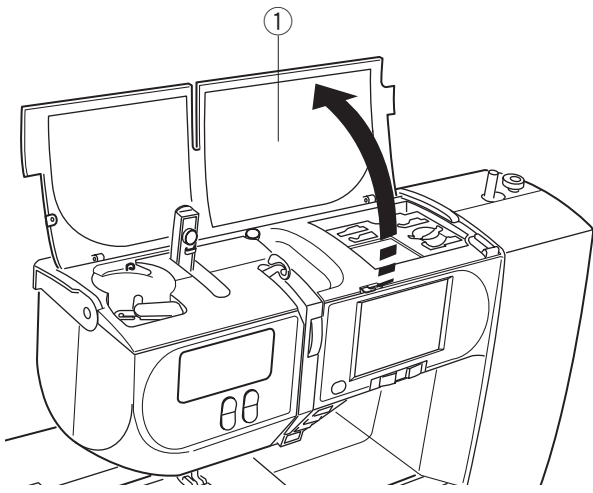
⑧) Lockout key

Press this key to lockout the machine when threading the machine, replacing the accessories etc.

To reduce the risk of injury, all the buttons and keys are deactivated.

To unlock the machine, press this key again.



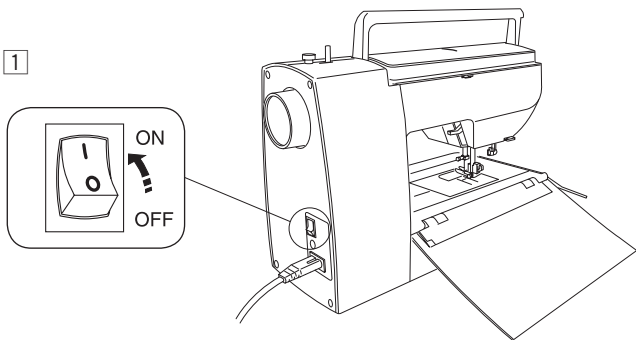


Selecting the Patterns

Enter the 2-digit number of the desired stitch pattern with the corresponding numeral keys.

To refer available stitch patterns for this sewing machine, check the stitch chart or the stitch chart in this manual on page 66.

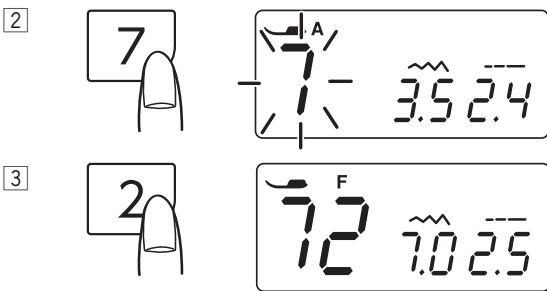
- ① Stitch chart



• Using numeral keys

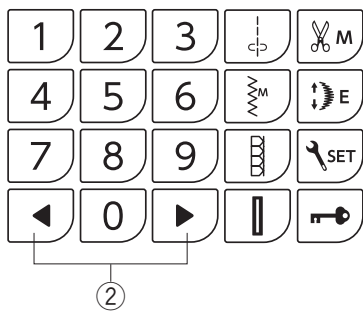
Example: To select stitch pattern 72

- ① Turn the power switch on.



- ② Press the numeral keys on the touch panel.
First press key 7 and then press key 2.

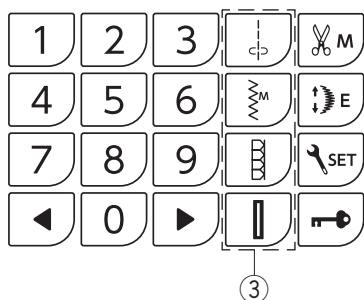
- ③ Now pattern 72 is selected.



• Using arrow keys

You can use arrow keys to select your desired patterns. To select the desired stitch pattern, press the either of arrow keys until the desired pattern is displayed.

- ② Arrow keys

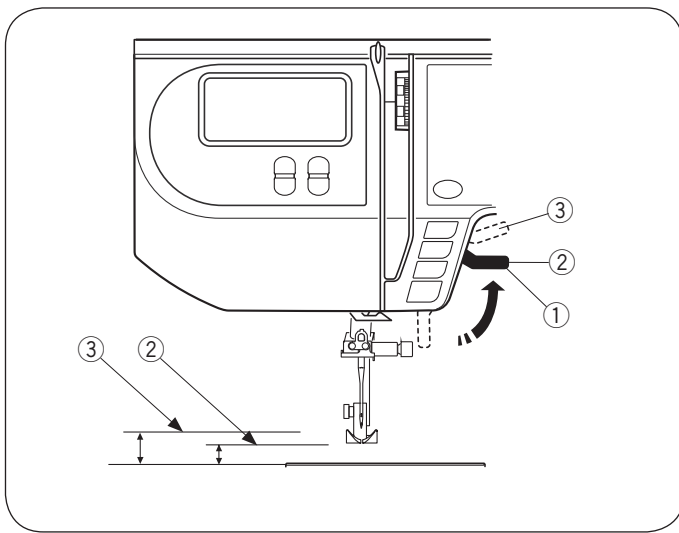


Direct pattern selection

You can select the following stitch patterns directly by pressing the corresponding direct pattern selection keys.



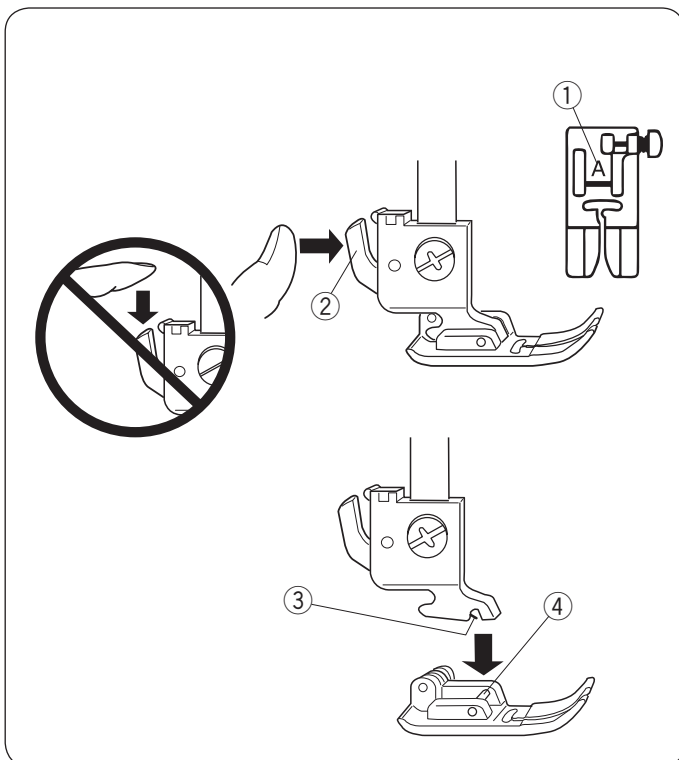
- ③ Direct pattern selection keys



Presser Foot Lifter

The presser foot lifter raises and lowers the presser foot. You can raise the foot about 1/4" (0.7 cm) higher than the normal up position for easy removal of the presser foot, or to help you place thick material under the foot.

- ① Presser foot lifter
- ② Normal up position
- ③ Highest position



Changing the Presser Foot

⚠ CAUTION:

- Turn OFF the power switch or press the lockout key to lockout the machine before changing the foot.
- Do not push the lever down when removing the presser foot.
- Always use the proper foot for the selected pattern. The wrong foot can cause the needle to break. Each foot is marked with an identification letter.

- ① Identification letter

Removing the presser foot

Raise the needle to its highest position by turning the handwheel counterclockwise. Raise the presser foot, and press the lever on the back of the foot holder.

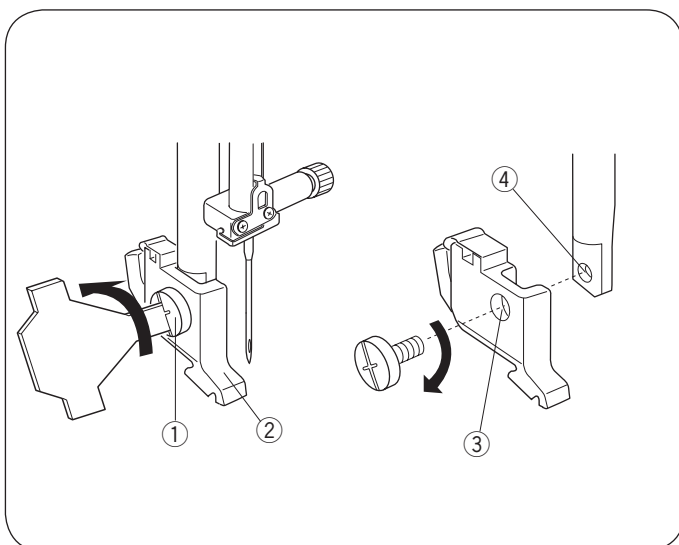
- ② Lever

Attaching the presser foot

Place the selected presser foot so that the pin on the foot lies just under the groove in the foot holder.

Lower the presser bar to lock the foot into the place.

- ③ Groove
- ④ Pin



Removing and Attaching the Foot Holder

⚠ CAUTION:

Turn OFF the power switch or press the lockout key to lockout the machine before detaching or attaching foot holder.

Removing the foot holder

Remove the setscrew by turning it counterclockwise with a screwdriver.

Attaching the foot holder

Align the hole in the foot holder with the threaded hole in the presser bar.

Fit the setscrew into the hole.

Tighten the setscrew by turning it clockwise with the screwdriver.

- ① Setscrew
- ② Foot holder
- ③ Hole
- ④ Threaded hole

Adjusting the Needle Thread Tension

Straight stitch balanced tension

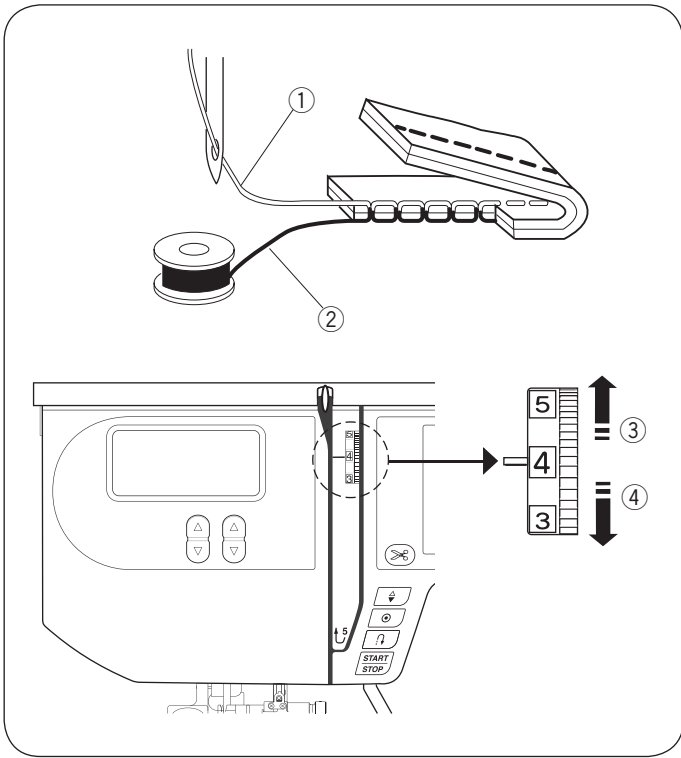
The ideal straight stitch has threads locked between two layers of fabric, as illustrated (magnified to show detail). If you look at the top and bottom of the seam, notice that the stitches are evenly balanced.

- ① Needle thread (top thread)
- ② Bobbin thread (bottom thread)
- ③ To loosen
- ④ To tighten

When adjusting the needle thread tension, the higher the number, the tighter the top thread tension.

Results depend on:

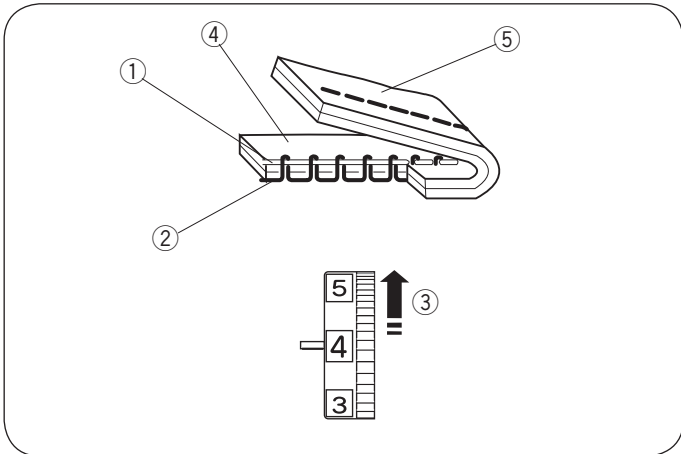
- stiffness and thickness of the fabric
- number of fabric layers
- type of stitch



Tension is too tight

The bobbin thread shows through on the right side of the fabric, and the stitch feels bumpy. Turn the dial to a lower number to loosen the needle thread tension.

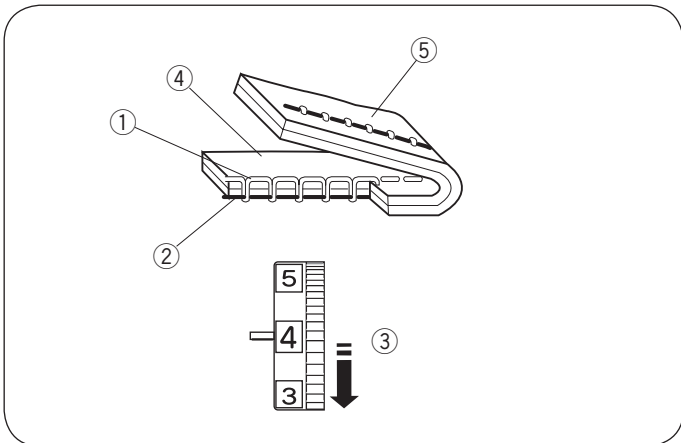
- ① Needle thread (top thread)
- ② Bobbin thread (bottom thread)
- ③ To loosen tension
- ④ Right side (top side) of fabric
- ⑤ Wrong side (bottom side) of fabric



Tension is too loose

The needle thread shows through on the wrong side of the fabric, and the stitch feels bumpy. Turn the dial to a higher number to tighten the needle thread tension.

- ① Needle thread (top thread)
- ② Bobbin thread (bottom thread)
- ③ To tighten tension
- ④ Right side (top side) of fabric
- ⑤ Wrong side (bottom side) of fabric



Zigzag stitch balanced tension

For an ideal zigzag stitch, the bobbin thread does not show on the right side (top side) of the fabric, and the needle thread shows slightly on the wrong side (bottom side) of the fabric.

See the illustrations for the correct appearance.

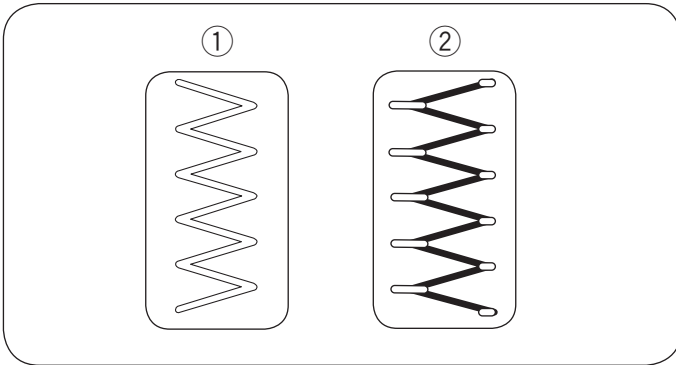
To match this appearance, adjust the needle tension as necessary.

Balanced tension

Minimize the amount of needle thread visible on the wrong side (bottom side) of the fabric without causing excessive puckering, or causing the bobbin thread to show on the right side (top side) of the fabric.

Results vary with fabric, thread and sewing conditions.

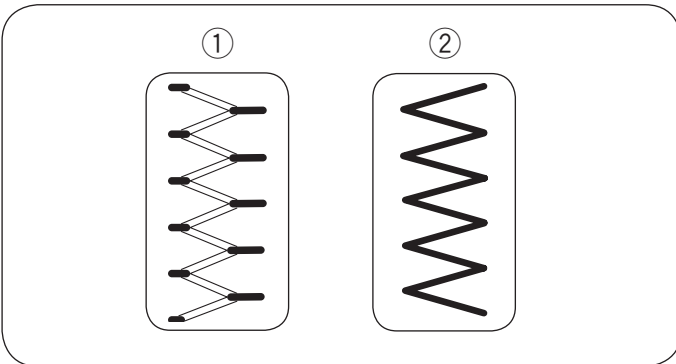
- ① Right side (top side) of fabric
- ② Wrong side (bottom side) of fabric



Tension is too tight

The corner of each zigzag pulls together on the right side of the fabric

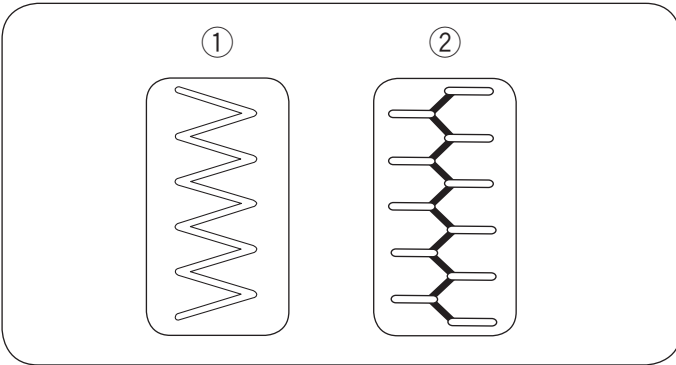
- ① Right side (top side) of fabric
- ② Wrong side (bottom side) of fabric

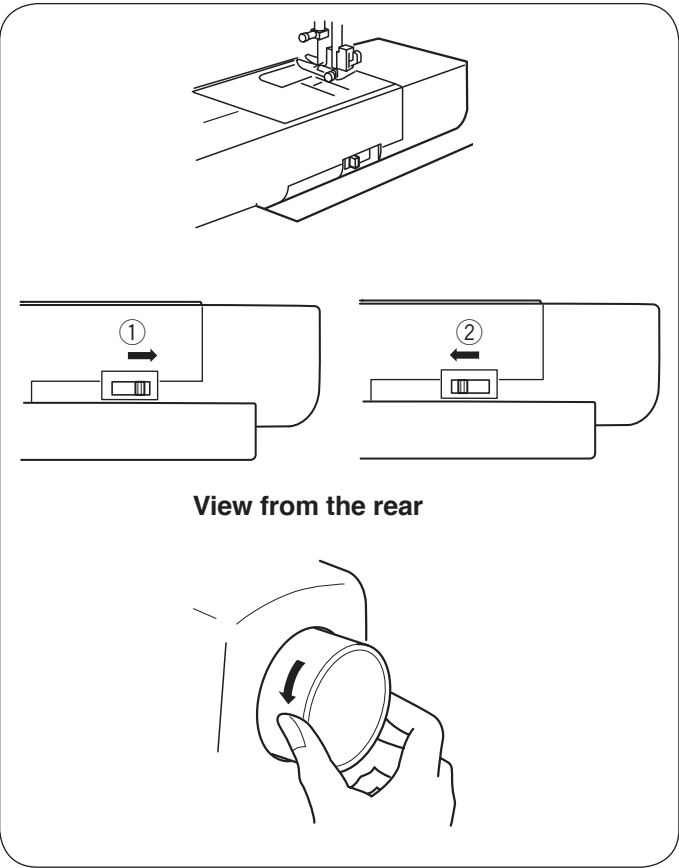


Tension is too loose

The corner of each zigzag point pulls together on the wrong side of the fabric.

- ① Right side (top side) of fabric
- ② Wrong side (bottom side) of fabric





Dropping or Raising the Feed Dog

The drop feed lever is located underneath the free arm bed on the back of the machine.

To drop the feed dog, push the lever in the direction of the arrow ①.

To raise the feed dog, push the lever in the direction of the arrow ②, as illustrated, and turn the handwheel toward you.

The feed dog must be up for normal sewing.

Changing the Needle

⚠ CAUTION:

Turn OFF the power switch or press the lockout key to lockout the machine before changing the needle. Raise the needle to its highest position by turning the handwheel counterclockwise, and lower the presser foot.

A loose needle or a loose screw may cause machine malfunction or needle to break.

Loosen the needle clamp screw by turning it counterclockwise. Remove the needle from the needle clamp.

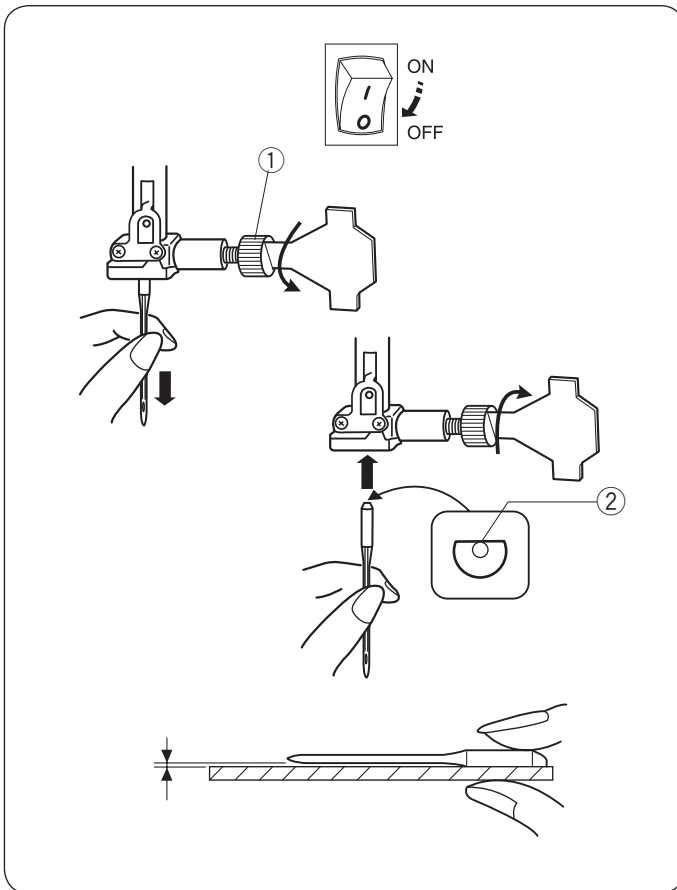
Insert a new needle into the needle clamp with the flat side to the rear. When inserting the needle into the needle clamp, push it up as far as it will go.

Tighten the needle clamp screw firmly by turning it clockwise.

① Needle clamp screw

② Flat side

To see if the needle is in good condition, place the flat side of the needle onto something flat (needle plate, glass etc.). The gap between the needle and the flat surface should be consistent. Never use a bent or blunt needle. A damaged needle can cause permanent snags or runs in knits, fine silks and silk-like fabrics.



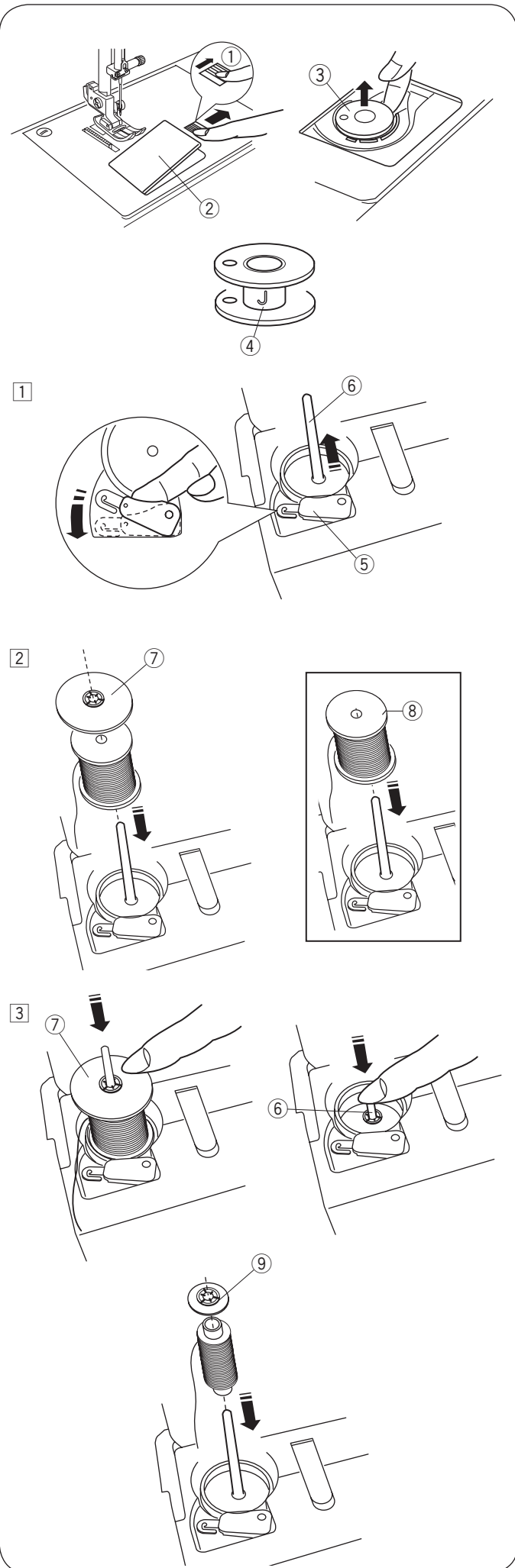
Fabric		Thread	Needle
Fine	Lawn	Silk #80-100 Cotton #80-100 Synthetic #80-100	#9/65-11/75 Blue tip needle
	Georgette		
	Tricot		
	Organza		
	Crepe		
Medium	Sheeting	Silk #50 Cotton #50-80 Synthetic #50-80	#11/75-14/90
	Jersey		
	Broadcloth		
	Fleece		
Heavy weight	Denim	Silk #30-50 Cotton #40-50 Synthetic #40-50	#14/90-16/100
	Tweed		
	Coating		
	Quilting		

NOTE:

1 x blue tip needles (#11/75), 2 x #11/75 needles and 2 x #14/90 needles are included in the needle case (Part No. 540401026).

Fabric, Thread and Needle Chart

- For general sewing, use needle size 11/75 or 14/90.
- A fine thread and needle should be used for sewing lightweight fabrics, so the fabric will not be marred.
- Heavy fabrics require a needle large enough to pierce the fabric without fraying the needle thread.
- Always test the needle size on a small scrap of the fabric that will be used for actual sewing.
- In general, use the same thread for the needle and bobbin.
- When sewing stretch fabrics, very fine fabrics and synthetics, use a blue tip needle. The blue tip needle effectively prevents skipped stitches.



Bobbin Winding Removing the bobbin

Gently slide the hook cover release button ① to the right and remove the hook cover plate ②. Lift out the bobbin.

- ① Hook cover release button
- ② Hook cover plate
- ③ Bobbin

NOTE:

Use the "J" plastic bobbins for horizontal hook (marked with "J" ④). Using other bobbins, such as pre-wound paper bobbins, may cause stitching problems and/or damage to the bobbin holder.

Setting the spool

- ① Turn the spool thread guide ⑤ as illustrated, and the spool pin ⑥ will lift up.

! WARNING

Do not lean over the top of spool pin when turning the spool thread guide. The spool pin pops up and it may strike your face.

- ⑤ Spool thread guide
- ⑥ Spool pin

- ② Place a spool of thread on the spool pin with the thread running off counterclockwise. Draw the thread from the spool about 4" (10 cm) of thread. Attach the large spool holder ⑦.

- ⑦ Large spool holder
- ⑧ Slit

NOTE:

If there is a slit ⑧ on the spool of thread, be sure to place the spool with the slit end up.

- ③ Press the spool holder ⑦ firmly against the spool of thread, and then push down the spool pin ⑥ to lower the spool until it is locked in the bottom.

NOTE:

Make sure there is no gap between the spool holder and spool rim, otherwise the thread can get tangled.

- * The small spool holder ⑨ is used with narrow or small spools of thread.

- ⑨ Small spool holder

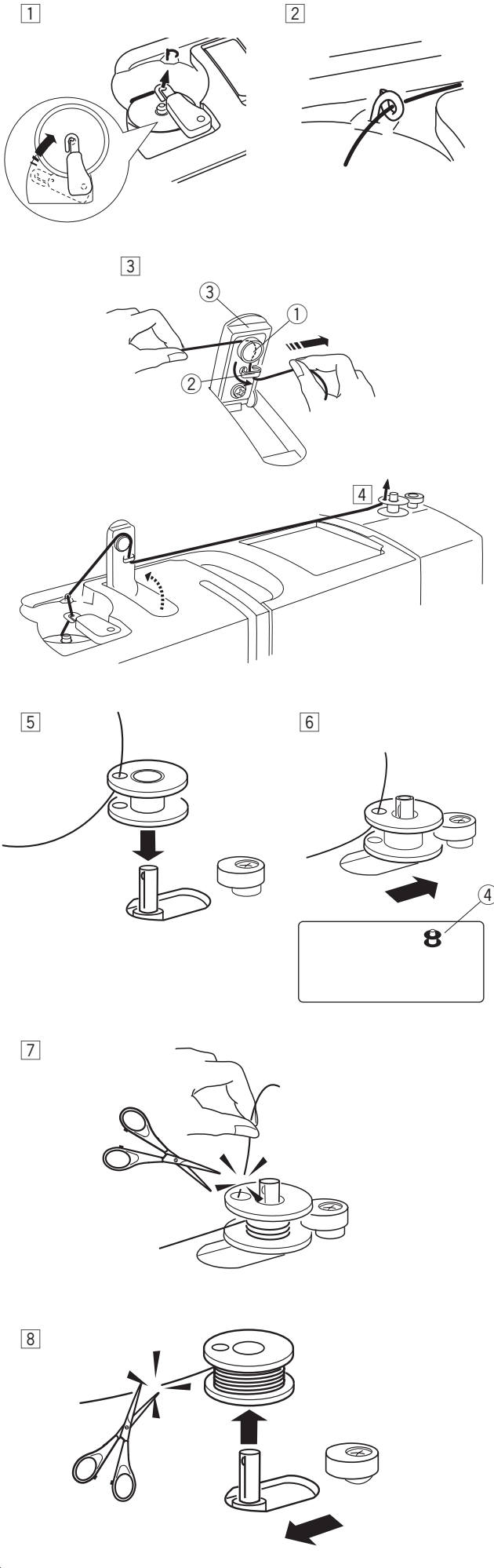
NOTE:

If a rimless spool may not let thread out smoothly, place the spool on the spool pin in up position and do not use the spool holder so the spool can rotate freely.

Winding the bobbin

NOTE:

- Set the speed control slider at its fastest position for bobbin winding.
- Close the retractable thread guide ③ after the bobbin winding.



- 1 Turn the spool thread guide as illustrated. Draw the thread from the spool and pass it through the spool thread guide.
- 2 Pass the thread through the thread guide (A).
- 3 Raise the retractable thread guide. Guide the thread around the bobbin winder thread guide (A) ① and (B) ② as illustrated.
- 4 Pass the thread through the hole in the top of the bobbin from the inside to outside.
- 5 Put the bobbin on the bobbin winder spindle.
- 6 Push the bobbin to the right. The bobbin mark ④ appears on the LCD display.
- 7 With the free end of the thread held in your hand, start the machine. Stop the machine when bobbin has wound a few layers, and then cut the thread close to the hole in the bobbin.
- 8 Start the machine again. When the bobbin is fully wound, it will stop automatically. Stop the machine and return the bobbin winder to its original position by moving the spindle to the left. Cut the thread as shown.

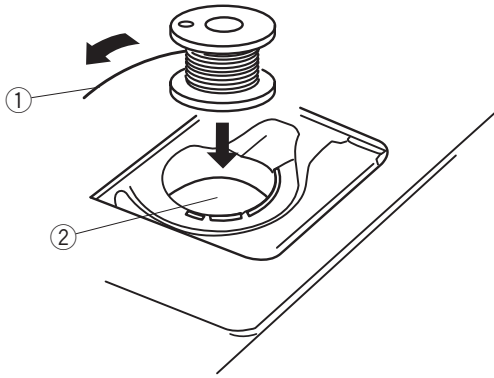
Inserting the bobbin



CAUTION:

Turn OFF the power switch or press the lockout key to lockout the machine before inserting the bobbin and threading the bobbin holder.

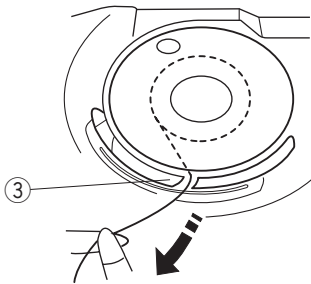
1



- 1 Place a bobbin in the bobbin holder 2 with the thread running off counterclockwise.

- 1 End of thread
- 2 Bobbin holder

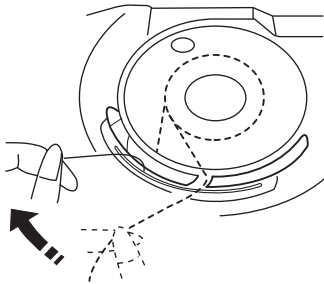
2



- 2 Guide the thread into the first notch 3 on the front side of the bobbin holder.

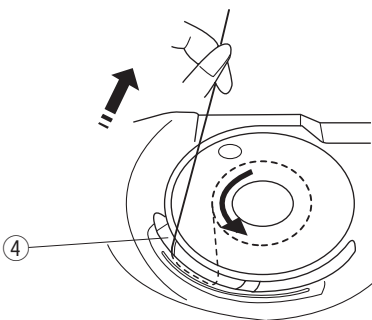
- 3 Notch

3



- 3 Draw the thread to the left, sliding it between the tension spring blades.

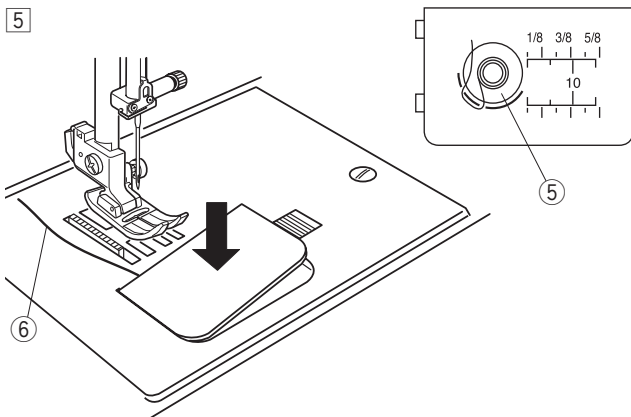
4



- 4 Continue to draw the thread lightly until the thread slips into the second notch 4. Pull out about 4" (10 cm) of thread.

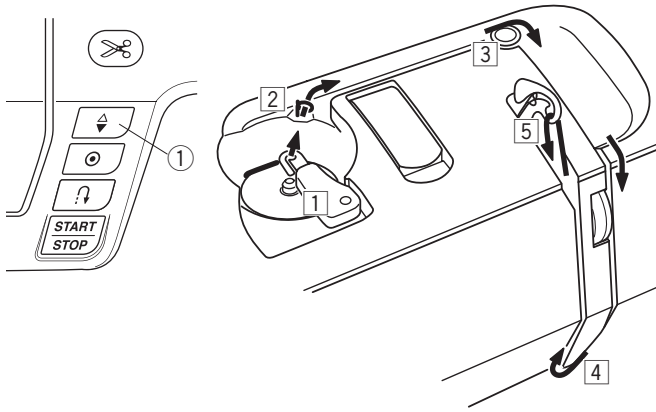
- 4 Notch

5



- 5 Attach the hook cover plate. Check the threading by referring to the diagram 5 shown on the hook cover plate.

- 5 Threading diagram
- 6 End of thread



Threading the Machine

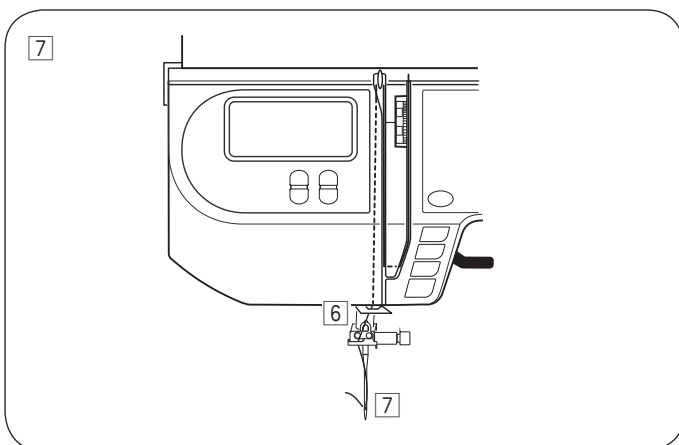
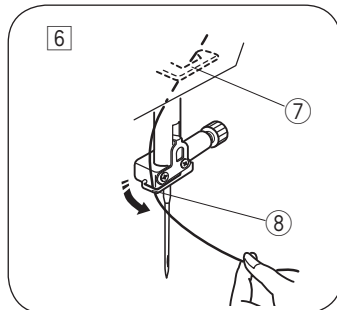
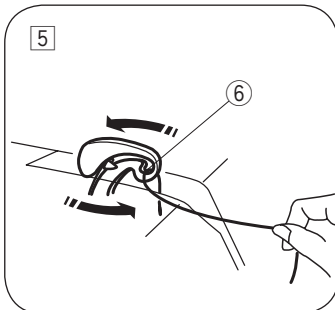
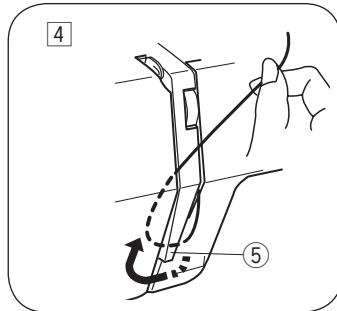
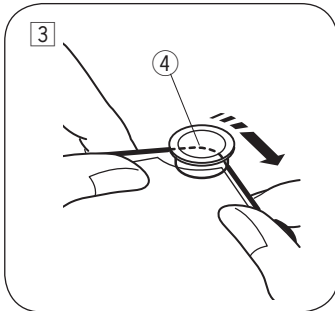
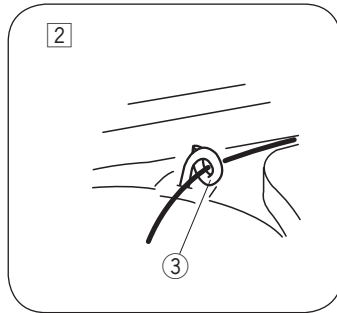
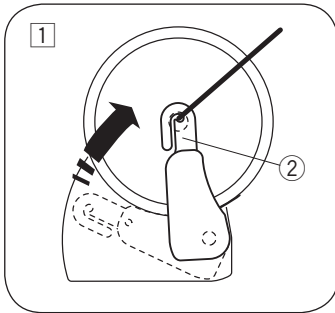
Raise the presser foot. Press the needle up/down button ① to raise the thread take-up lever to its highest position.

① Needle up/down button



CAUTION:

Turn OFF the power switch or press the lockout key to lockout the machine before threading the machine.



① Turn the spool thread guide ② in the direction of arrow as illustrated.

Pass the end of the thread through the spool thread guide ②.

② Pass the thread through the thread guide (A) ③.

③ Draw the thread around the thread guide (B) ④.

④ Draw the end of the thread down around the check spring holder ⑤.

⑤ Firmly draw the thread up from right to left over the take-up lever, and down into the take-up lever eye ⑥.

⑥ Pass the thread through the lower thread guide ⑦. Slide the thread behind the needle bar thread guide on the left ⑧.

⑦ Thread the needle from front to back, or use the needle threader (see page 22).

Needle Threader



CAUTION:

Turn OFF the power switch or press the lockout key to lockout the machine when using the needle threader.

- 1 Lower the presser foot. Press the needle up/down button ① to raise the needle to its highest position. Press the lockout key or turn the power switch off. Pull down the needle threader knob ② as far as it will go. The hook ③ comes out through the needle eye from behind.

- ① Needle up/down button
- ② Knob
- ③ Hook

- 2 Draw the thread from guide (a) ④ to guide (b) ⑤ and under the hook ③. Draw the thread up along the right side of guide (b) ⑤ and slip the thread in between guide (b) and the holder plate ⑥.

- ③ Hook
- ④ Guide (a)
- ⑤ Guide (b)
- ⑥ Holder plate

- 3 Raise the knob in the direction of the arrow, drawing the thread loop through the needle.

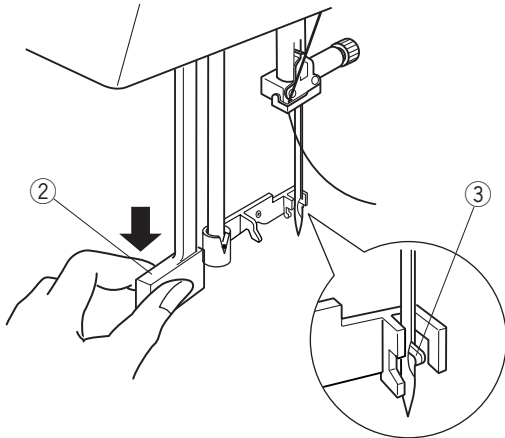
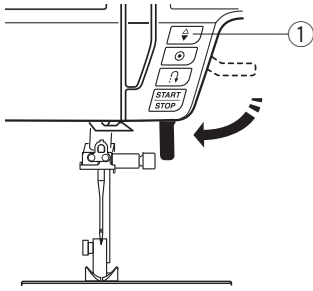
- ⑦ Thread loop

- 4 Pull the thread through the needle eye.

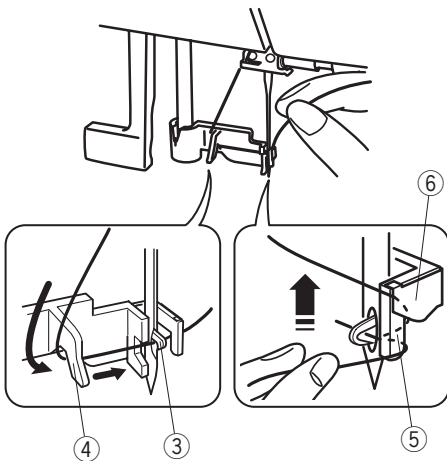
NOTE:

The needle threader can be used with a #11 to #16 needle or a blue tipped needle. Thread sizes 50 to 90 are recommended.

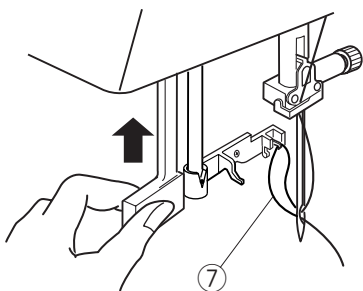
1



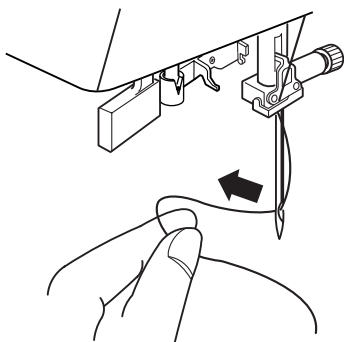
2



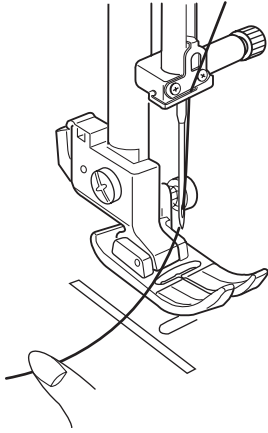
3



4



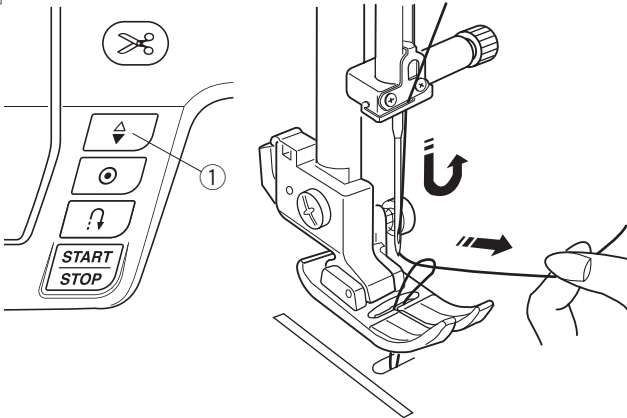
1



Drawing up the Bobbin Thread

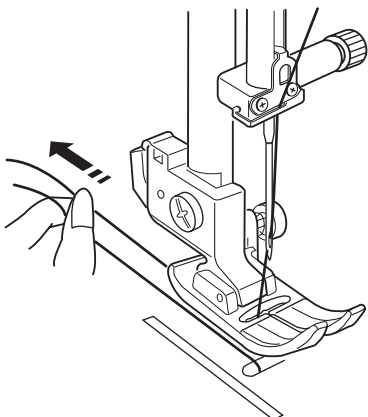
- 1 Raise the presser foot. Hold the needle thread lightly with your left hand.

2

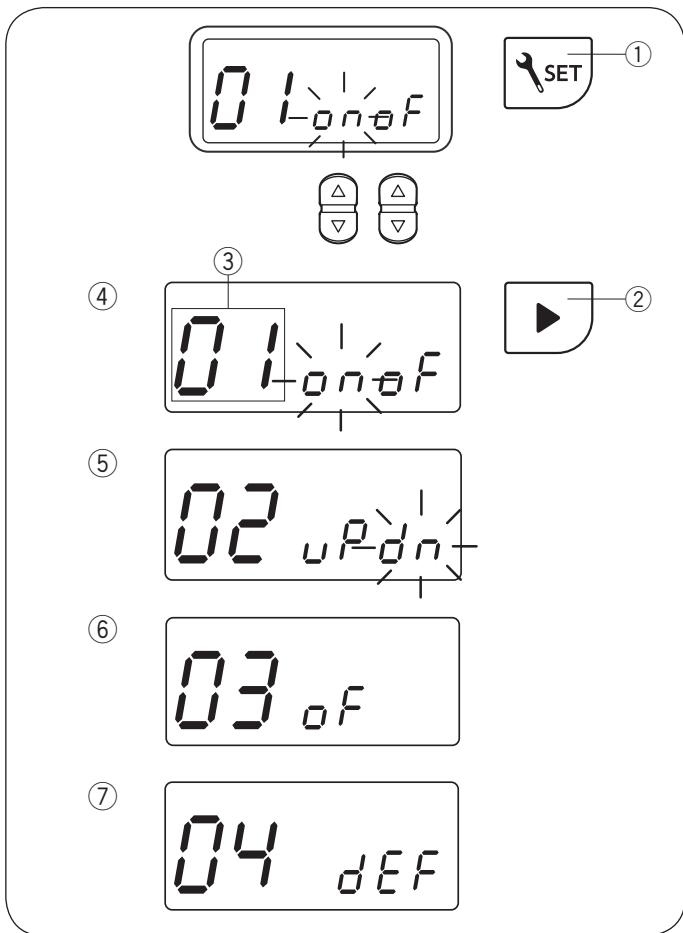


- 2 Press the needle up/down button ① twice to lower and raise the needle to pick up the bobbin thread.
① Needle up/down button

3



- 3 Pull both threads 10 to 15 cm (4" to 6") under and behind the presser foot.



Setting Mode

Press the set key ① to enter the machine setting mode for customizing the machine setting. The LCD display will show “01”, “on” (ON) and “oF” (OFF), and the “on” mark will blink.

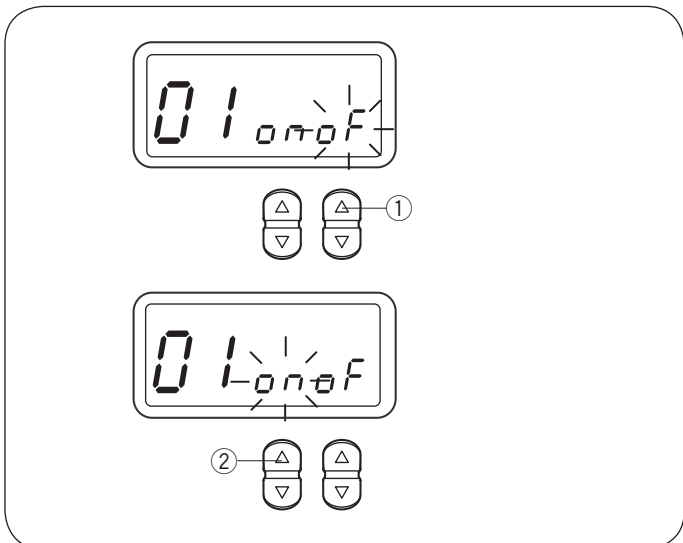
Each time you press the arrow key ②, the mode number changes, and you can set the following machine functions as follows:

- ③ Mode number
- ④ Buzzer sound setting
- ⑤ Needle stop position setting
- ⑥ Key position calibration
- ⑦ Resetting all to default

Press the set key ① to apply the machine settings and exit the machine setting mode.

NOTE:

Customized machine settings will not apply if you turn off the machine while in the machine setting mode.



Buzzer sound setting

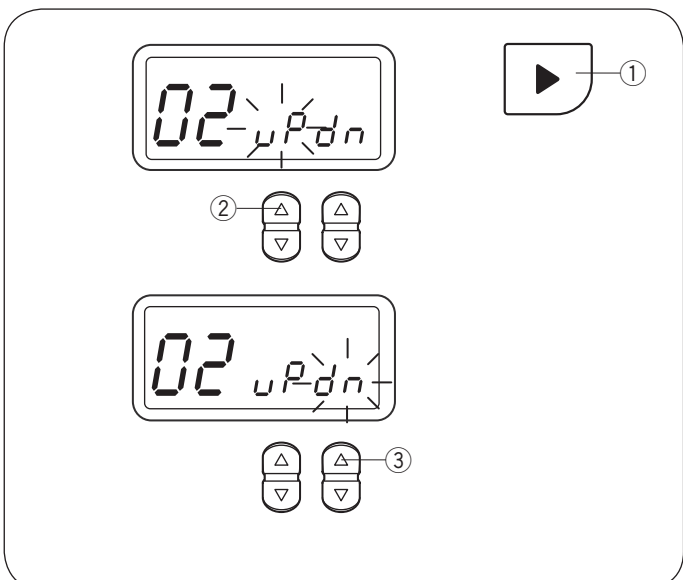
The buzzer sound can be turned on or off using the buzzer sound setting. Enter the setting mode.

The default buzzer sound setting is “ON”.

To turn the buzzer sound off, press the stitch length adjusting button “Δ” ①, and the “oF” mark will blink.

To turn the buzzer sound on, press the stitch width adjusting button “Δ” ②, and the “on” mark will blink.

* Caution buzzer sound cannot be turned off.



Needle stop position setting

You can set the needle position to up or down when the machine stops.

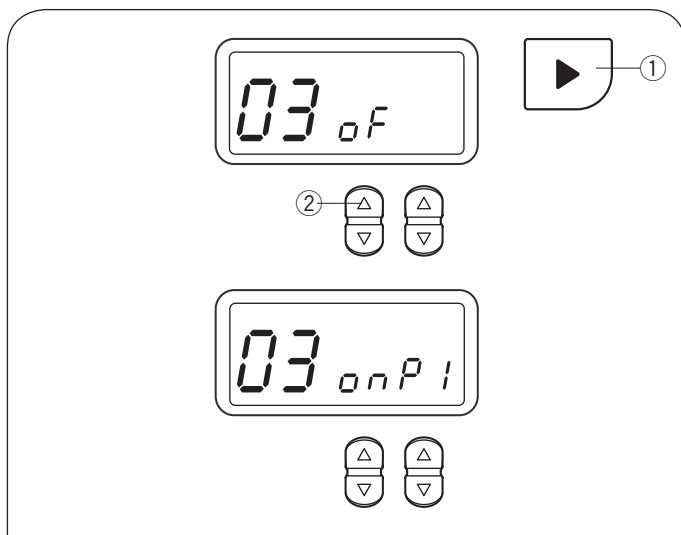
Enter the setting mode.

Press the right arrow key ① to select the needle stop position setting.

The default up/down needle position setting is “dn” (down).

To change the needle position to up, press the stitch width adjusting button “Δ” ②, and the “uP” mark will blink.

To change the needle position to down, press the stitch length button “Δ” ③, and the “dn” mark will blink.



Key position adjustment setting

You can adjust the key position when you think the key sensor is off from the actual key position.

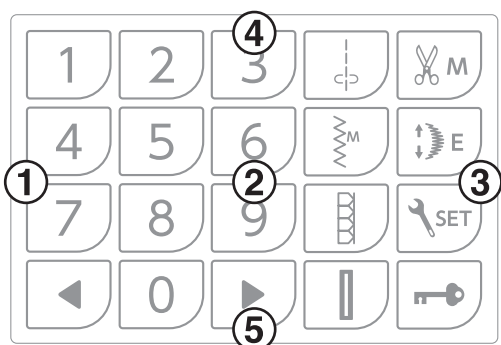
Enter the setting mode.

Press the right arrow key ① twice to select the key position adjustment setting.

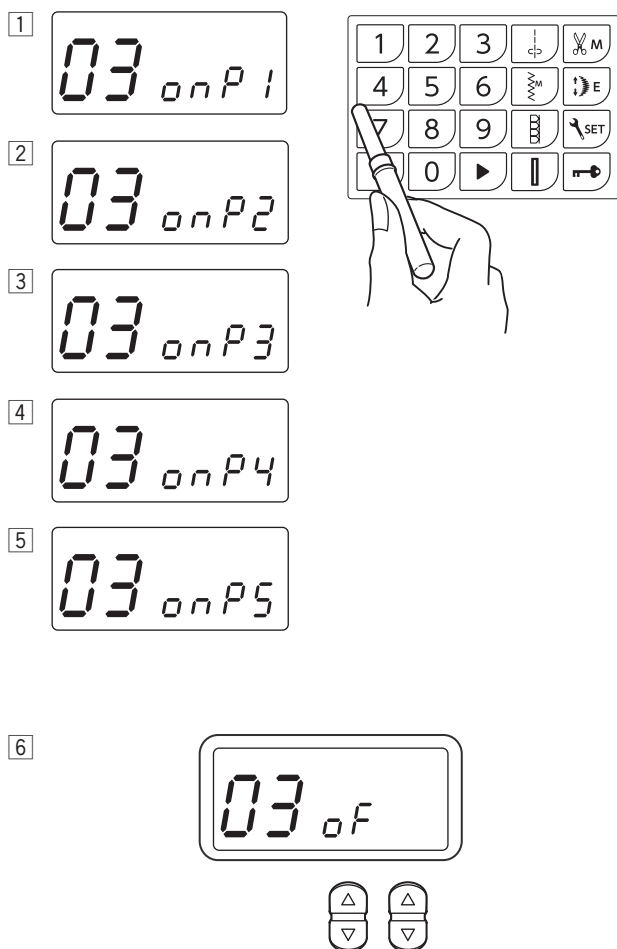
The key position adjustment screen appears and “oF” (OFF) mark is shown on the screen.

Press the stitch width adjusting button “Δ” ② to activate the key position adjustment setting.

The “oF” mark changes to “on” (ON) and “P1” is shown on the LCD display.



• Key position calibration



① With a seam ripper, press ① on the touch panel of your machine.

② “P2” will be shown on the LCD display. Press the ② on the touch panel.

③ “P3” will be shown on the LCD display. Press the ③ on the touch panel.

④ “P4” will be shown on the LCD display. Press the ④ on the touch panel.

⑤ “P5” will be shown on the LCD display. Press the ⑤ on the touch panel.

⑥ The screen will back to the setting screen with a buzzer sound.

NOTE:

To cancel the calibration, press the stitch width adjusting button “Δ”. The “oF”(OFF) mark is shown on the screen and the calibration will be canceled.



Resetting all to default

The following customized settings can be reset to the default settings (factory settings).

- Buzzer sound
- Needle stop position
- Key position adjustment

Enter the setting mode.

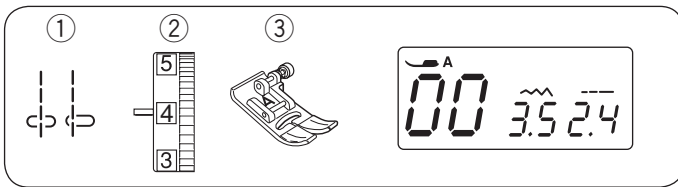
Press the right arrow key ① 3 times to select the resetting all to default mode.

Press the stitch length adjusting button “Δ” ②.

The “y” (YES) and “n” (NO) mark appears on the screen.

Press the stitch width adjusting button “Δ” ③ under the “y” mark to reset the machine to the factory setting.

Press the stitch length adjusting button “Δ” ② under the “n” mark to cancel the resetting.



BASIC SEWING

Straight Stitch Sewing

- ① Stitch pattern: 00 or 03
- ② Needle thread tension: 2 to 6
- ③ Presser foot: Zigzag foot A

NOTE:

When sewing with the satin stitch foot F or buttonhole foot R, pull the thread to the left to hold the thread.

Starting to sew

Raise presser foot and position the fabric next to a seam guide line on the needle plate. Lower the needle to the point where you want to start.

Pull the thread toward the rear and lower the presser foot.

Press the start/stop button or depress the foot control to start sewing.

Gently guide the fabric along a seam guide line letting the fabric feed naturally.

- ① Start/stop button

Securing seams

For fastening the ends of seams, press the reverse button and sew several reverse stitches.

The machine sews in reverse as long as you press and hold the reverse button.

- ② Reverse button

Press the reverse button once when sewing the lock-automatic stitch (pattern 01) or locking stitch (pattern 02) and the machine will lock the stitches off and stop automatically.

Cutting threads

To cut the threads after finishing sewing, press the thread cutter button. The needle bar automatically rises after trimming the threads.

After cutting the thread, you can start sewing without drawing up the bobbin thread.

- ③ Thread cutter button

NOTE:

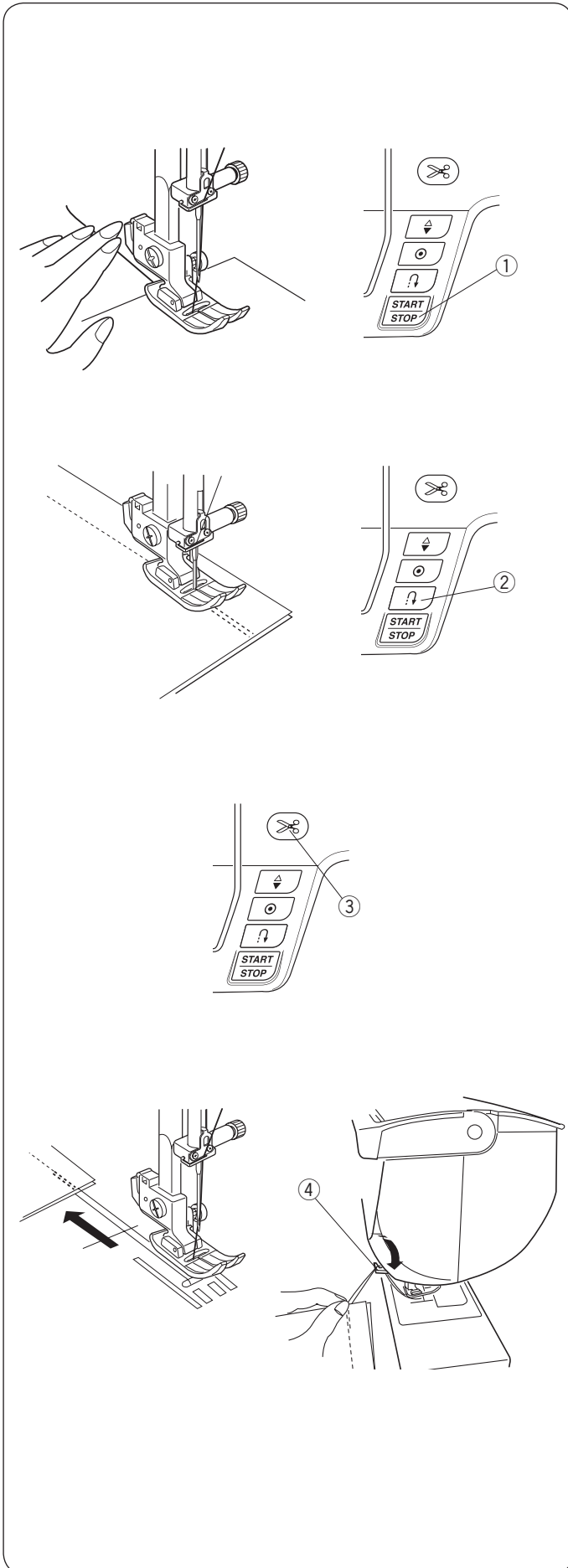
Use the thread cutter on the face cover to cut specialized or thick threads (#30 or thicker).

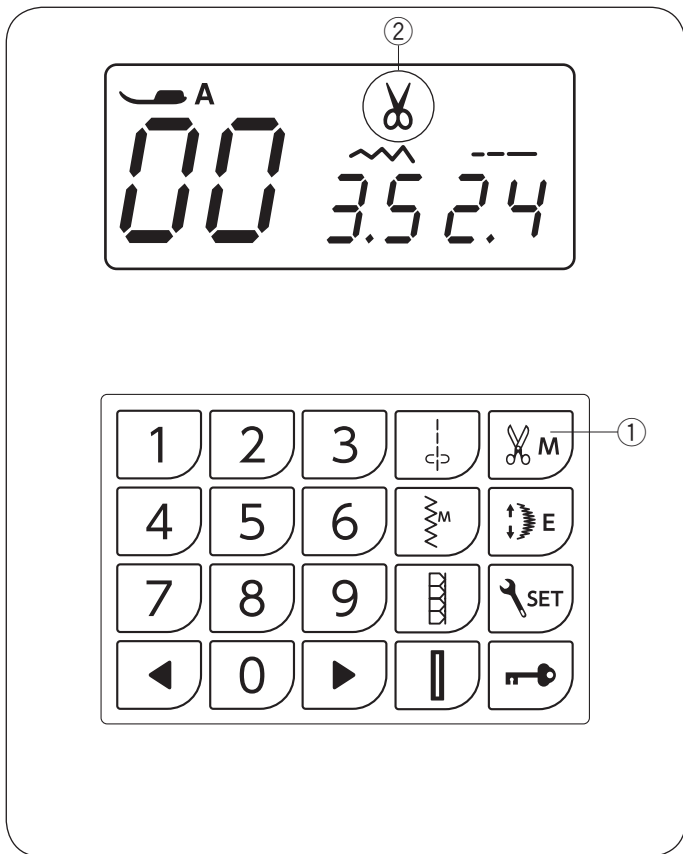
To use the thread cutter on the face cover, remove the fabric and draw it to the back.

Pull the threads up and slip them between the thread cutter and face cover from behind.

Pull the threads toward you to cut.

- ④ Thread cutter





Auto Thread Cutting

To cut the threads automatically after locking stitches, press the thread cutter memory key.

The thread cutter icon appears on the LCD display.

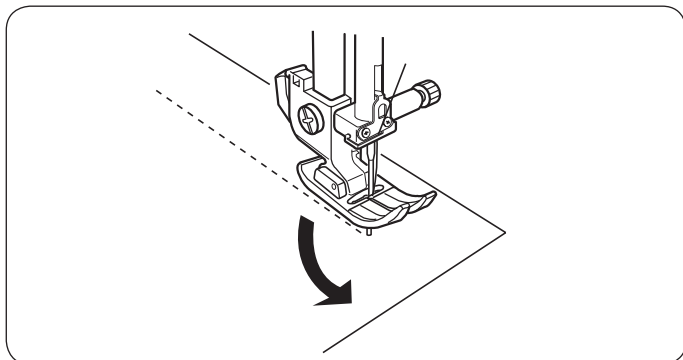
- ① Thread cutter memory key
- ② Thread cutter icon

When buttonhole, tacking, darning or eyelet is selected, the machine will cut the threads automatically after sewing is finished.

Press the auto-lock button or reverse button to cut the threads automatically after locking stitches when other stitch is selected.

NOTE:

Use the thread cutter on the face cover if the thread is 30 or thicker.



Changing Sewing Direction

Stop the machine.

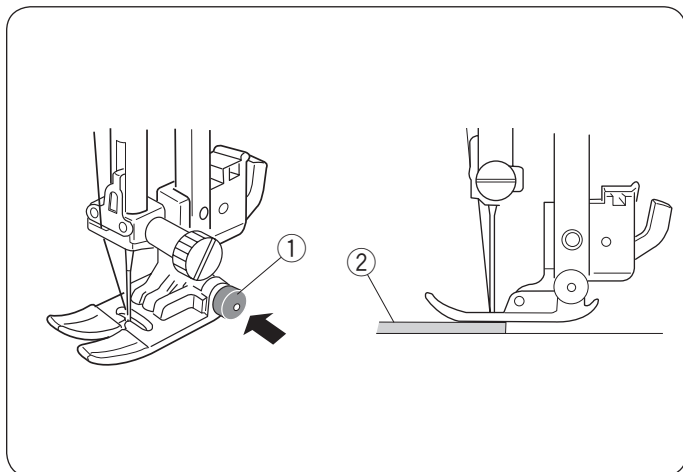
Raise the presser foot.

Pivot the fabric around the needle to change the sewing direction as desired.

Lower the foot and start sewing in a new direction.

NOTE:

Lower the needle by pressing needle up/down button if the needle stop position is set at up position.



Sewing from the Edge of Thick Fabric

The black button on the zigzag foot locks the foot in the horizontal position.

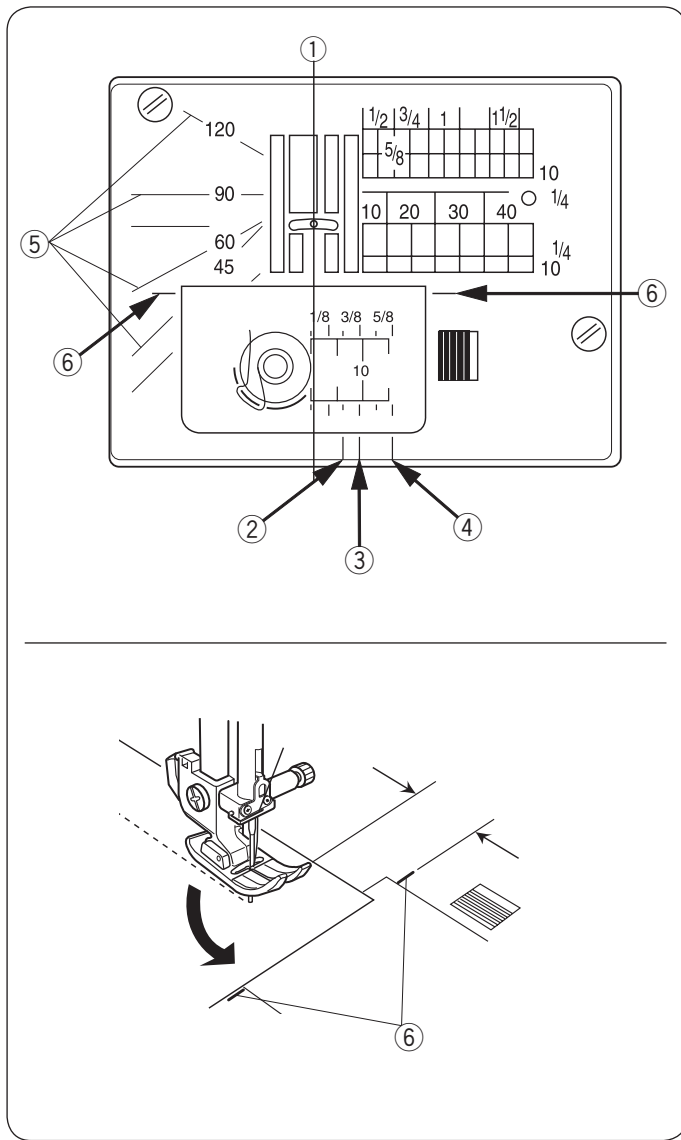
This is helpful when starting sewing from the far edge of thick fabrics or sewing across a hem.

Lower the needle into the fabric at the point where you wish to start sewing.

Lower the foot while pushing the black button in. The foot is locked in the horizontal position to avoid slipping.

The button is released automatically after sewing a few stitches.

- ① Black button
- ② Thick fabrics



Using Seam Guides

The seam guides on the needle plate and the hook cover plate help you to measure seam allowance.

The numbers on the needle plate indicate the distance from the center needle position in inches and millimeters.

- ① Center needle position

The front seam guides are marked at 1/4", 3/8" and 5/8" from the center needle position.

- ② Front seam guide at 1/4"
- ③ Front seam guide at 3/8"
- ④ Front seam guide at 5/8"

The angle scales are marked at 45, 60, 90 and 120 degrees.

Use the angle scales when seaming patchwork pieces (refer to page 54).

- ⑤ Angle scales
- ⑥ Cornering guide

Turning Square Corners

When sewing with fabric edge at 5/8" seam guide, to turn a square corner so that sewing continues at same distance from edge.

Stop the machine when front edge of fabric reaches the cornering guide lines ⑥.

Raise the presser foot and turn the fabric counterclockwise 90°.

Lower the presser foot, and begin stitching in the new direction.

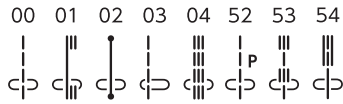
- ⑥ Cornering guide

NOTE:

Lower the needle by pressing needle up/down button if the needle stop position is set at up position.

Altering the Needle Drop Position

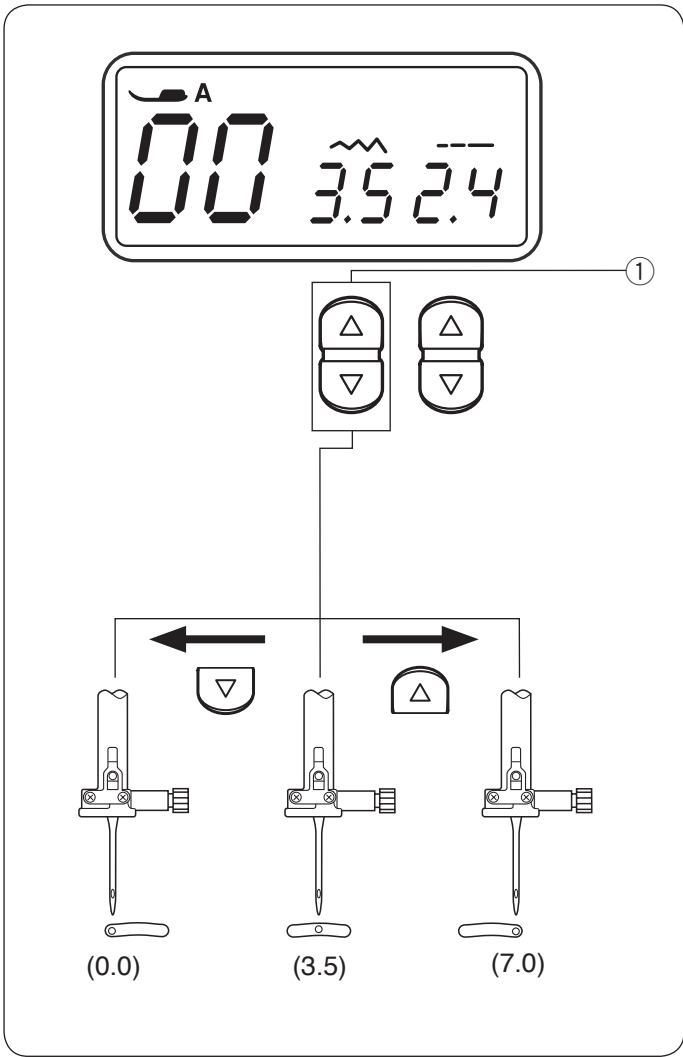
The needle drop position can be altered for straight stitch patterns 00 to 04 and 52 to 54.



Press the “▽” sign on the stitch width adjusting button to move the needle to the left.

Press the “△” sign on the stitch width adjusting button to move the needle to the right.

① Stitch width adjusting button



Altering the Stitch Length

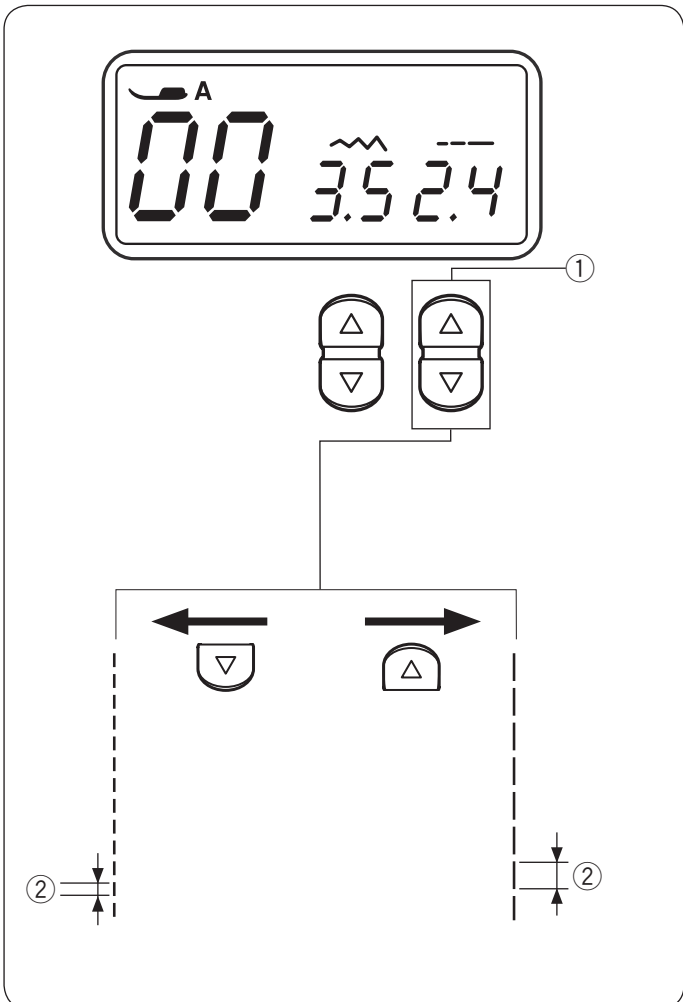
The stitch length can be altered.

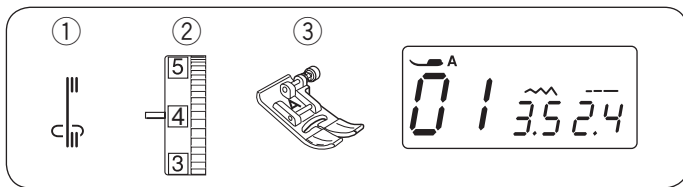
Press the “△” sign on the stitch length adjusting button to increase the stitch length.

Press the “▽” sign on the stitch length adjusting button to decrease the stitch length.

① Stitch length adjusting button

② Stitch length

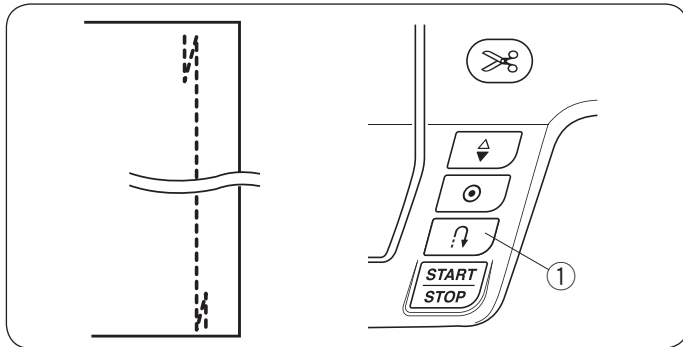




Variety of Straight Stitches

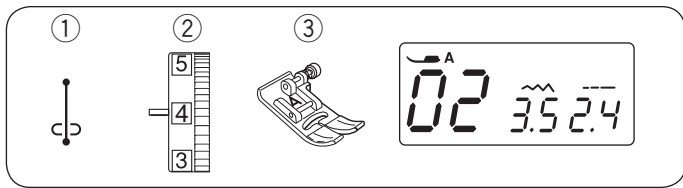
Lock-a-matic Stitch

- ① Stitch pattern: 01
- ② Thread tension dial: 2 to 6
- ③ Presser foot: Zigzag foot A



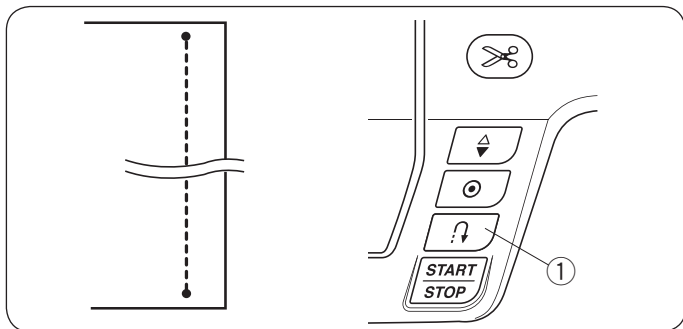
Use this stitch to secure the beginning and the end of a seam with backstitching. When you reach the end of the seam, press the reverse button once. The machine will sew four reverse stitches, four forward stitches, and then stop sewing automatically.

- ① Reverse button



Locking Stitch

- ① Stitch pattern: 02
- ② Thread tension dial: 2 to 6
- ③ Presser foot: Zigzag foot A

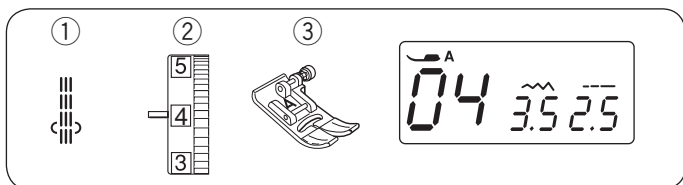


This unique stitch is used where an invisible locking stitch is needed.

Lower the needle close to the front edge of the fabric. The machine will sew several locking stitches in place and continue sewing forward.

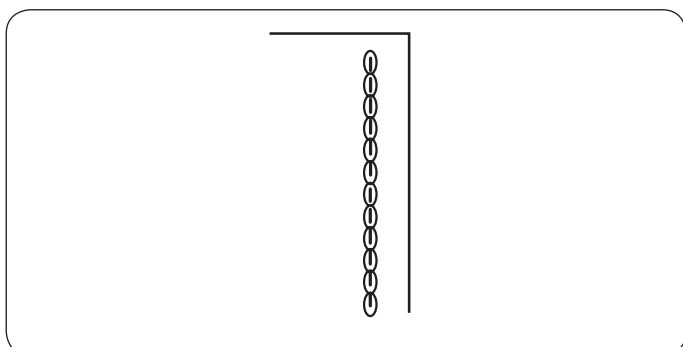
When you press the reverse button at the end of the seam, the machine will sew several locking stitches in place, then stop sewing automatically.

- ① Reverse button

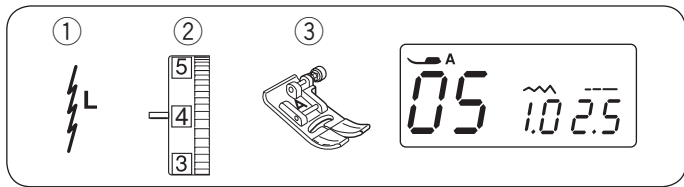


Triple Stretch Stitch

- ① Stitch pattern: 04
- ② Thread tension dial: 2 to 6
- ③ Presser foot: Zigzag foot A

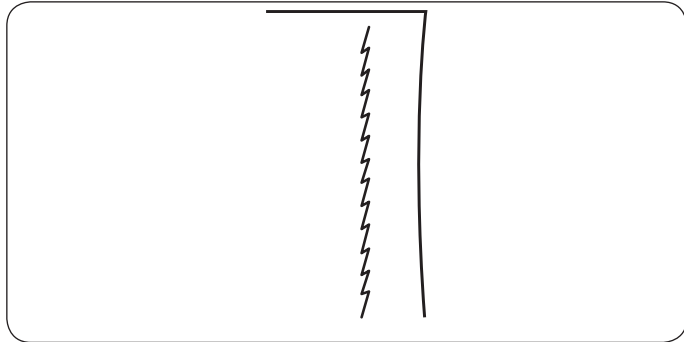


This strong, durable stitch is recommended when both elasticity and strength are necessary in order to insure comfort and durability. Use it to reinforce areas such as crotch and armhole seams. Also use for extra reinforcement when constructing items such as backpacks.

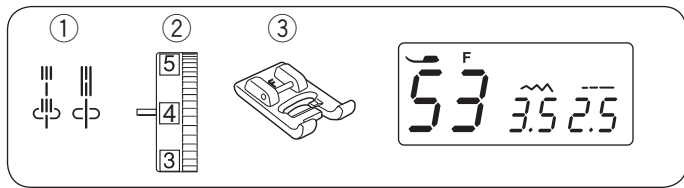


Stretch Stitch

- ① Stitch pattern: 05
- ② Thread tension dial: 3 to 6
- ③ Presser foot: Zigzag foot A

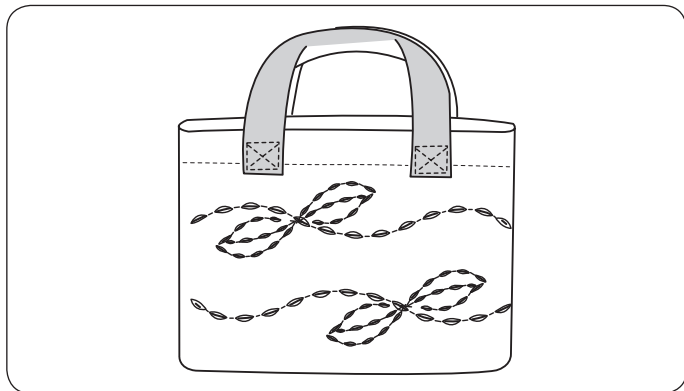


This stitch is a narrow stretch stitch designed to eliminate puckering on knit fabrics and bias seams, while permitting the seam to be pressed completely open flat. Use this stitch for seaming fine fabrics.

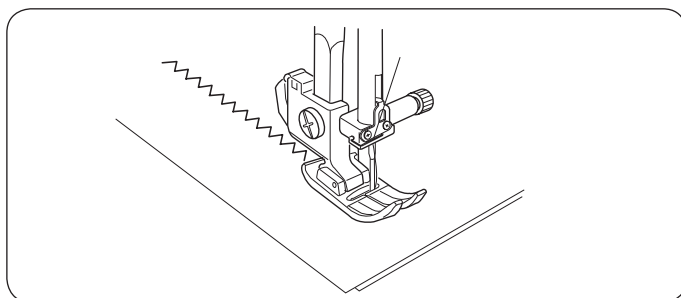
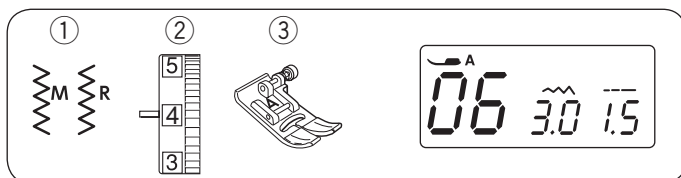


Sculpture Stitches

- ① Stitch pattern: 53 or 54
- ② Thread tension dial: 3 to 6
- ③ Presser foot: Satin stitch foot F



You can achieve a lovely hand-worked look when topstitching suits, blazers, jumpers, and denim outfits with these stitches.



Zigzag Stitch

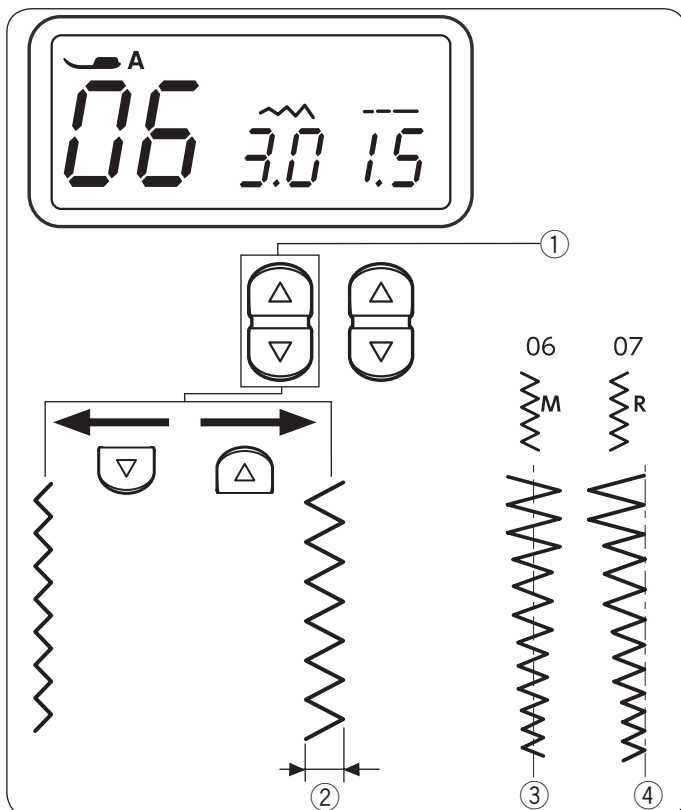
- ① Stitch pattern: 06 or 07
- ② Thread tension dial: 3 to 7
- ③ Presser foot: Zigzag foot A

The zigzag stitch is one of the most useful and versatile stitches.

It is used for overcasting, mending, appliqué, and also used as a decorative stitch.

NOTE:

Use interfacing when sewing on stretch fabrics such as knit, jersey or tricot.



Altering the stitch width

Press the “△” sign on the stitch width adjusting button to increase the stitch width.

Press the “▽” sign on the stitch width adjusting button to decrease the stitch width.

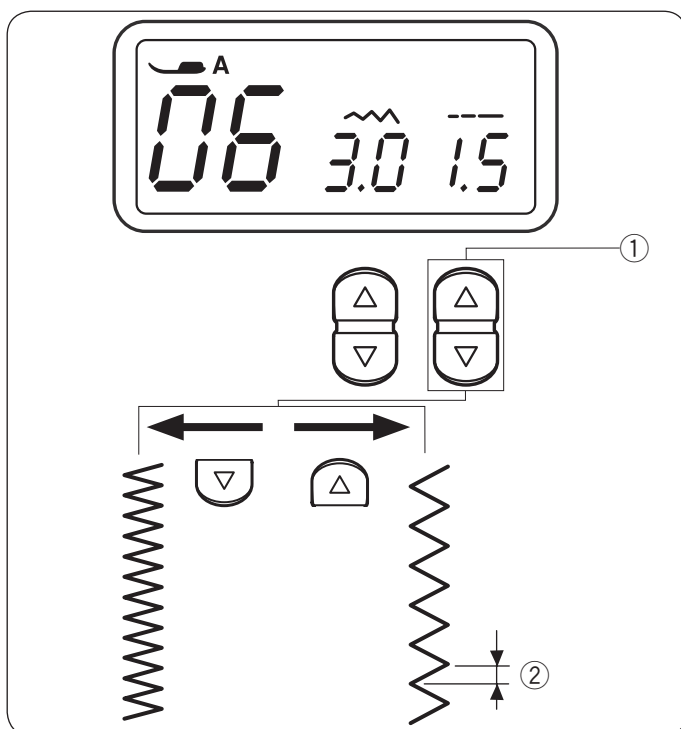
- ① Stitch width adjusting button
- ② Stitch width

The stitch width of pattern 06 can be changed without changing its center needle position (M) ③.

- ③ Center needle position

The stitch width of pattern 07 can be changed without changing its right needle position (R) ④.

- ④ Right needle position

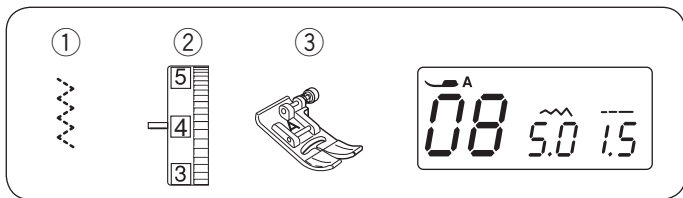


Altering the stitch length

Press the “△” sign on the stitch length adjusting button to increase the stitch length.

Press the “▽” sign on the stitch length adjusting button to decrease the stitch length.

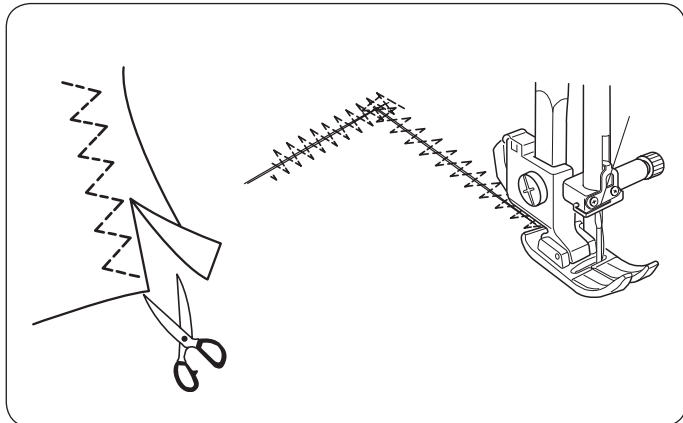
- ① Stitch length adjusting button
- ② Stitch length



Variety of Overcasting Stitches

Multiple Zigzag Stitch

- ① Stitch pattern: 08
- ② Thread tension dial: 3 to 7
- ③ Presser foot: Zigzag foot A

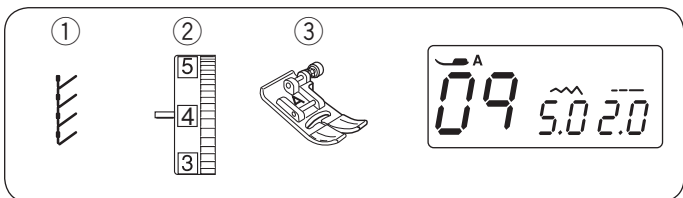


This stitch is used to finish a raw edge of synthetics and other stretch fabrics that tend to pucker.

Sew along the fabric edge leaving an adequate seam allowance.

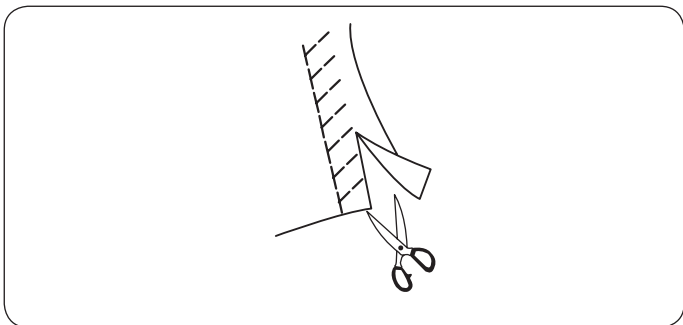
After sewing, trim off the seam allowance closer to the stitches.

This stitch is also excellent for darning and mending tears.

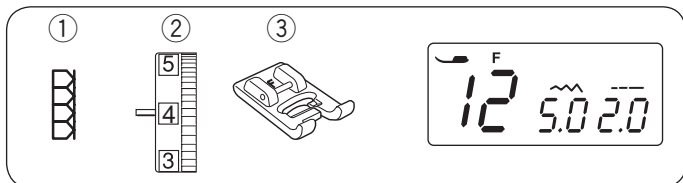


Knit Stitch

- ① Stitch pattern: 09
- ② Thread tension dial: 3 to 6
- ③ Presser foot: Zigzag foot A

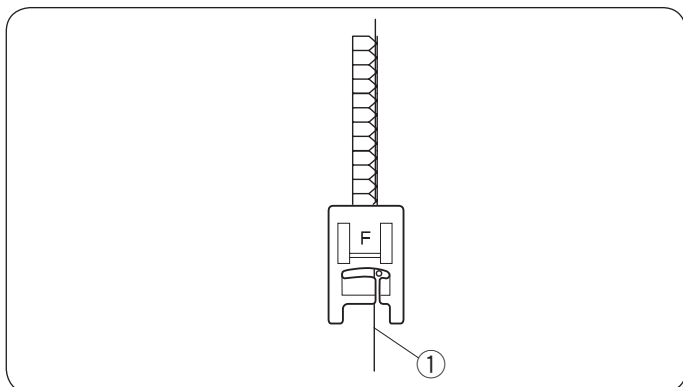


Place your fabric to allow a 5/8" (1.5 cm) seam. Trim excess close to the stitching. Be careful not to cut the stitches.



Super Overlock Stitch

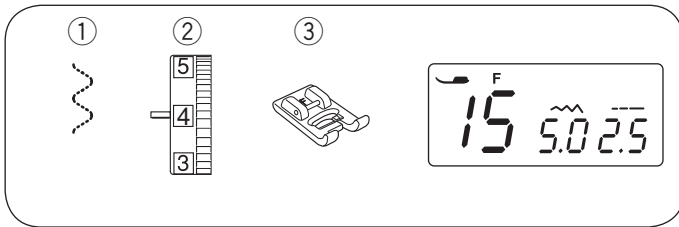
- ① Stitch pattern: 12
- ② Thread tension dial: 3 to 6
- ③ Presser foot: Satin stitch foot F



This industrial inspired overlock stitch is excellent for assembling and finishing fabrics together in one step. Apply ribbing to knits and garment retains its shape. Elna invented this stitch in 1982.

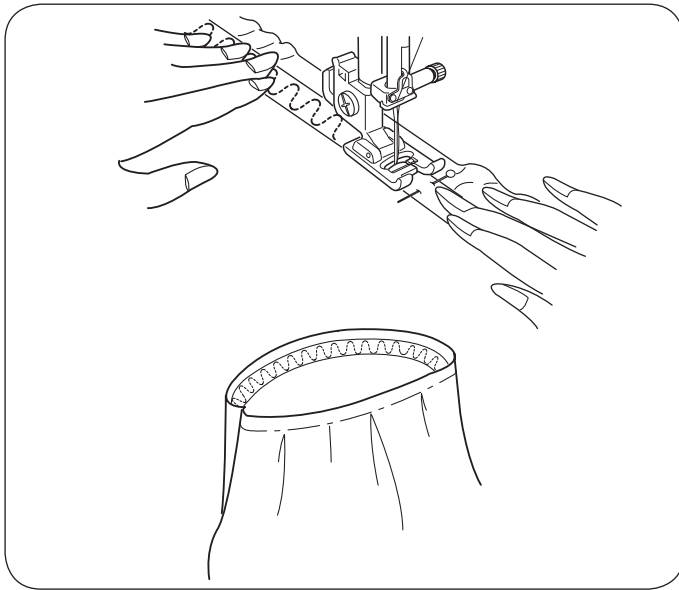
Place the fabric edges together under the presser foot next to the right side edge of the presser foot.

- ① Edge of fabric



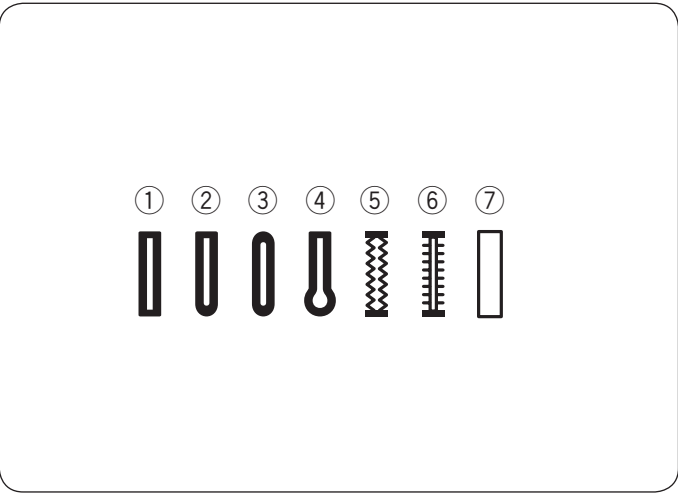
Attaching Elastic

- ① Stitch pattern: 15
- ② Thread tension dial: 1 to 4
- ③ Presser foot: Satin stitch foot F



Mark the elastic into quarters. Match those to the center front, center back and side seams, and pin the elastic to the fabric.

Place the elastic under the foot and stitch into place while stretch the elastic evenly.



Buttonholes

The following 7 types of buttonholes are available.

① Square buttonhole

This buttonhole is widely used on medium to heavy fabrics.

② Round-end buttonhole

This buttonhole is used on fine to medium weight fabrics, especially for blouses and children's clothes.

③ Fine fabric buttonhole

This buttonhole is rounded at both ends and is used on fine, delicate fabrics such as fine silk.

④ Keyhole buttonhole

The keyhole buttonhole is widely used on medium to heavy fabrics. It is also suitable for larger and thicker buttons.

⑤ Stretch buttonhole

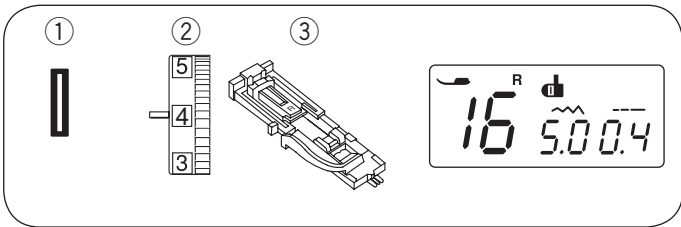
This buttonhole is suitable for stretch fabrics. It can also be used as a decorative buttonhole.

⑥ Antique buttonhole

Resembles a "Hand Worked" buttonhole ideal on fine fabrics featured in Heirloom sewing or for couture fashions.

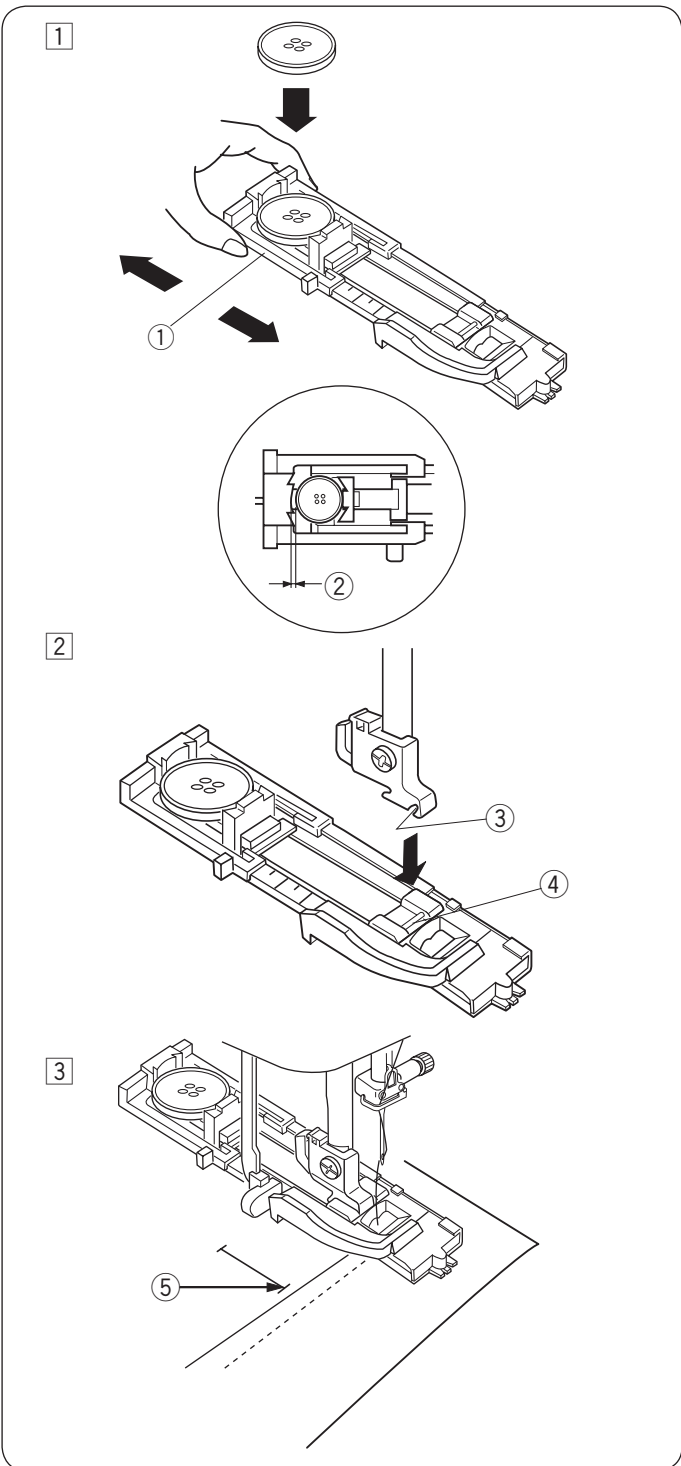
⑦ Welted buttonhole (Bound buttonhole)

This is a template pattern for the hand-sewn welted buttonhole.



Square Buttonhole

- ① Stitch pattern: 16
- ② Thread tension dial: 1 to 4
- ③ Presser foot: Automatic buttonhole foot R



The size of a buttonhole is automatically set by placing a button in the rear of automatic buttonhole foot R. The button holder of the foot takes a button size of 1 cm (3/8") to 2.5 cm (1") in diameter. When selecting the buttonholes, the LCD display advise you to lower the buttonhole lever.

NOTE:

It is sometimes necessary to change buttonhole size to match certain heavy or specific fabrics and threads. Make a test buttonhole on an extra piece of the fabric to check your settings. The preset width of the buttonhole is suited for ordinary buttons. Apply an interfacing to stretch or fine fabrics.

Sewing

- ① Pull the button holder to the back, and place the button in it. Push it together tightly on the button.
 - ① Button holder

NOTE:

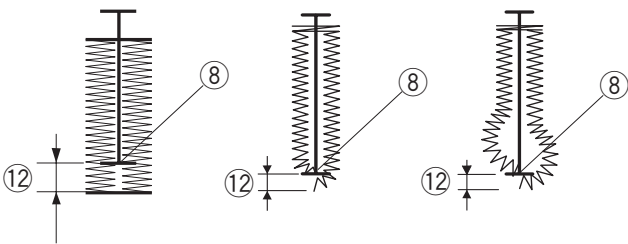
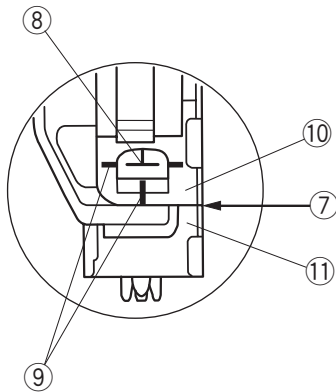
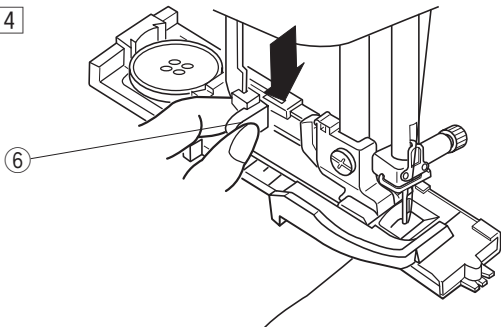
If the button is extremely thick, make a test buttonhole on an extra piece of the fabric. If it is difficult to fit the button through the test buttonhole, you can lengthen the buttonhole by pulling the button holder back a little. The length of the buttonhole will be increased.

- ② Extra gap

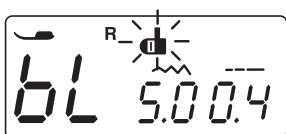
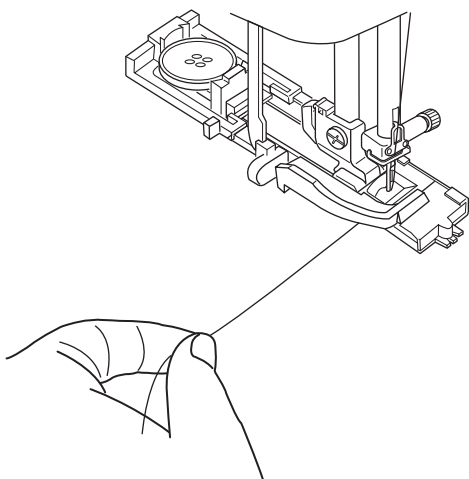
- ② Press the needle up/down button to raise the needle. Attach the automatic buttonhole foot R snapping the pin into the groove of the foot holder. You may lift the presser foot lifter to the extra lifted position when placing the automatic buttonhole foot under the foot holder. Raise the presser foot.
 - ③ Groove
 - ④ Pin

- ③ Draw the needle thread to the left through the hole of foot. Mark the buttonhole position on the fabric and place it under the buttonhole foot. Lower the needle at the starting point by turning the handwheel.
 - ⑤ Starting point

4



5



4 Lower the presser foot and pull the buttonhole lever down as far as it will go.

6 Buttonhole lever

NOTE:

The reference lines on the buttonhole foot can be used as a positioning guide.

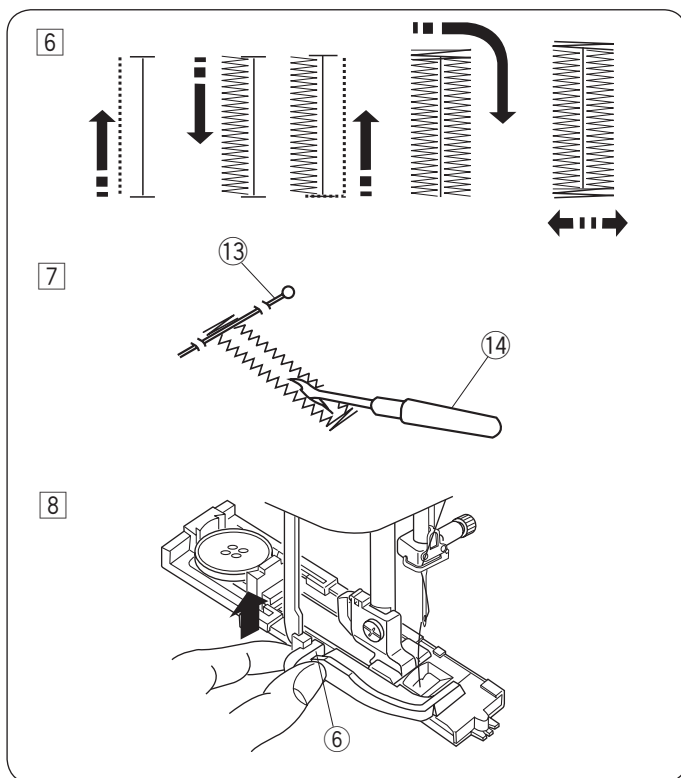
Make sure there is no gap between the slider and stopper, otherwise the buttonhole will be out of position or there will be a sewing gap.

- 7 No gap
- 8 Starting point
- 9 Reference lines
- 10 Slider
- 11 Stopper
- 12 Sewing gap

5 Start sewing while pulling the needle thread lightly to the left. After sewing a few stitches, free the thread and continue sewing.

NOTE:

If you start sewing without pulling down the buttonhole lever, the LCD display will show a warning and the machine will stop after a few stitches. Pull the buttonhole lever down and start sewing.



6 The buttonhole is sewn in the sequence as shown. When the buttonhole is finished, the machine will stop automatically with the needle in the up position.

7 Remove the fabric and place a pin just below the bartack to prevent accidentally cutting the stitches. Cut the opening with the seam ripper.

- 13 Pin
- 14 Seam ripper

8 When buttonhole sewing is finished, push the buttonhole lever upward as far as it will go.

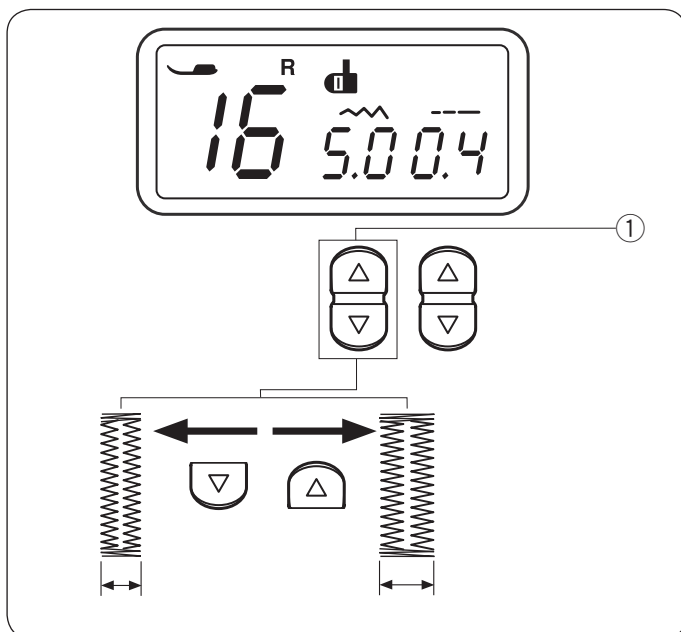
- 6 Buttonhole lever

Double layer buttonhole

To make a sturdy buttonhole, sew another layer of buttonhole stitches over the previous stitches. After the buttonhole is finished, do not raise the foot or buttonhole lever, simply start the machine again.

NOTE:

If the fabric is not feeding smoothly when sewing a double layer buttonhole, increase the buttonhole density.



Altering the buttonhole width

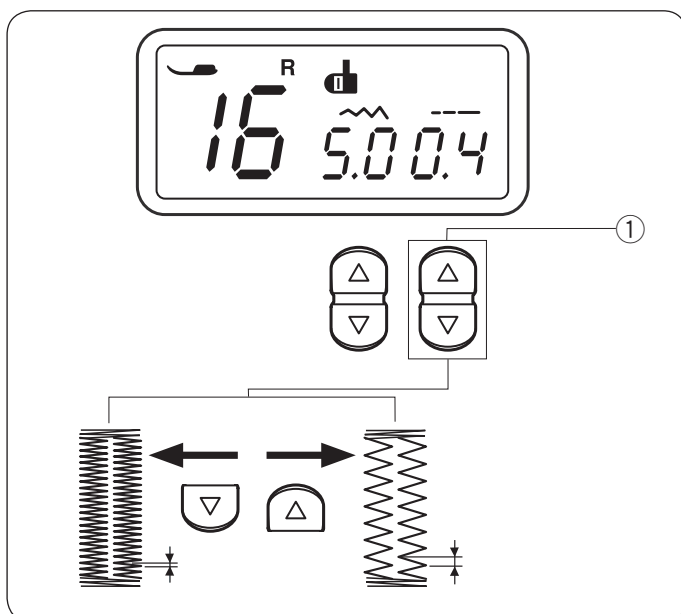
Press the “△” sign on the stitch width adjusting button to increase the buttonhole width.

Press the “▽” sign on the stitch width adjusting button to decrease the buttonhole width.

- 1 Stitch width adjusting button

NOTE:

The buttonhole width can be adjusted from 2.5 to 7.0.



Altering the buttonhole density

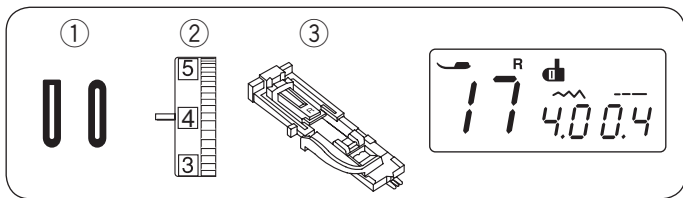
Press the “△” sign on the stitch length adjusting button to decrease the buttonhole density.

Press the “▽” sign on the stitch length adjusting button to increase the buttonhole density.

- 1 Stitch length adjusting button

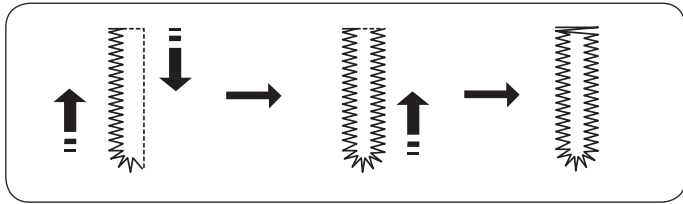
NOTE:

The buttonhole density can be adjusted from 0.2 to 0.8.

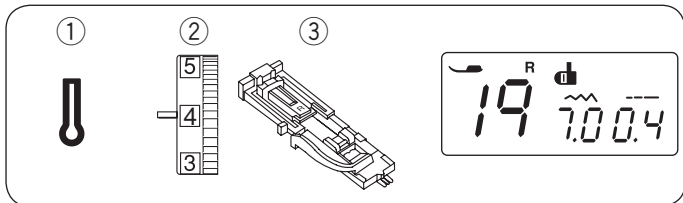


Round-end and Fine Fabric Buttonhole

- ① Stitch pattern: 17 and 18
- ② Thread tension dial: 1 to 4
- ③ Presser foot: Automatic buttonhole foot R

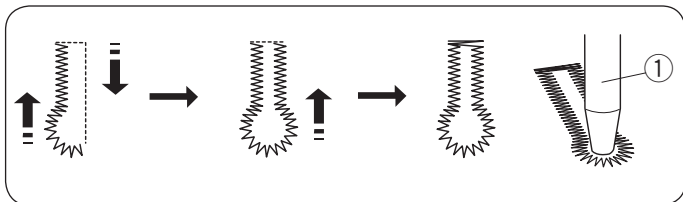


Sewing procedure is the same as square buttonhole.
The buttonhole width can be varied from 2.5 to 5.5.
The stitch density can be varied from 0.2 to 0.8.



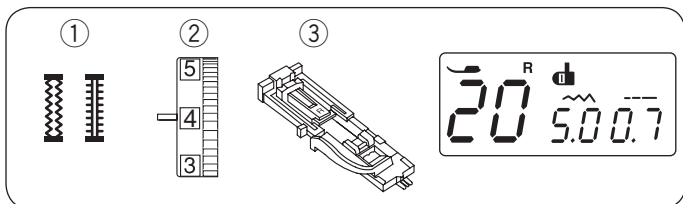
Keyhole Buttonhole

- ① Stitch pattern: 19
- ② Thread tension dial: 1 to 4
- ③ Presser foot: Automatic buttonhole foot R



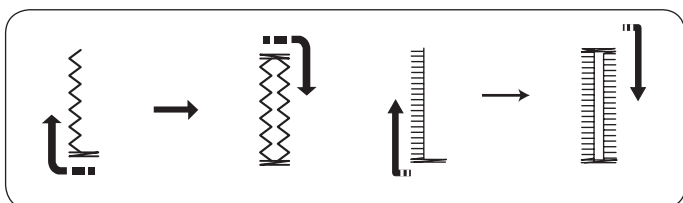
Sewing procedure is the same as square buttonhole.
The buttonhole width can be varied from 5.5 to 7.0.
The stitch density can be varied from 0.3 to 0.8.
Use the seam ripper and an eyelet punch to open the buttonhole.

- ① Eyelet punch (not provided with the machine)

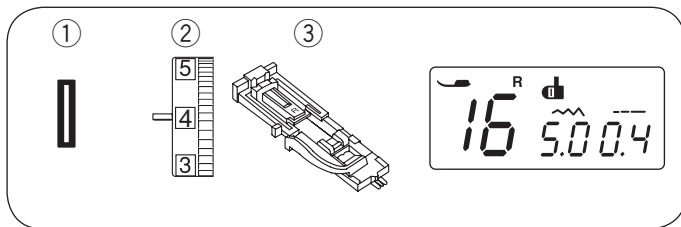


Stretch Buttonhole and Antique Buttonhole

- ① Stitch pattern: 20 and 21
- ② Thread tension dial: 1 to 4
- ③ Presser foot: Automatic buttonhole foot R

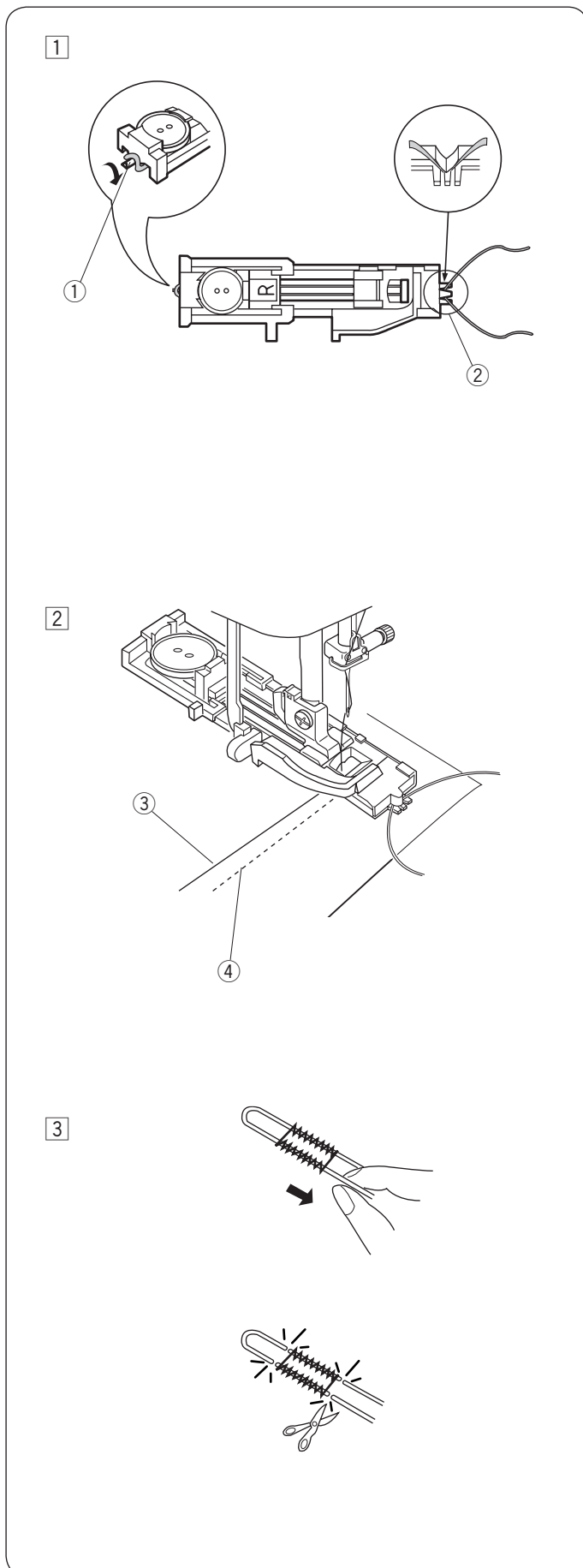


The machine will sew the front bartack and left row first.
The machine will sew the back bartack and right row,
then it stops automatically.
The stitch width can be varied from 2.5 to 7.0.
The stitch density can be varied from 0.5 to 1.0 (Stretch
buttonhole), 0.5 to 2.5 (Antique buttonhole).



Corded Buttonhole

- ① Stitch pattern: 16
- ② Thread tension dial: 1 to 4
- ③ Presser foot: Automatic buttonhole foot R



- ① Use the same procedure as the square buttonhole sewing. Set the stitch width to match the thickness of the cord used.

With the buttonhole foot raised, hook the filler cord on the spur at the back of the buttonhole foot. Bring the ends toward you under the buttonhole foot, clearing the front end.

Hook the filler cord into the forks on the front of the buttonhole foot to hold them tight.

Lower the needle into the garment where the buttonhole will start, and lower the foot.

- ① Spur
- ② Forks

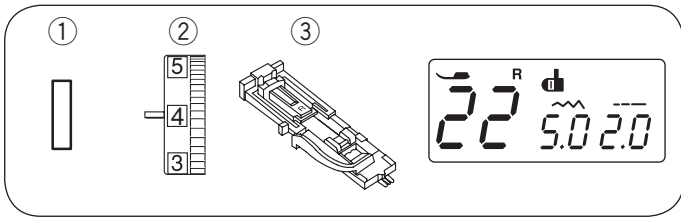
- ② Start the machine and sew the buttonhole. Each side of the buttonhole and the bartacks will be sewn over the cord.

Remove the fabric from the machine, and cut the sewing threads only.

- ③ Needle thread
- ④ Bobbin thread

- ③ Pull the loose ends of the filler cord to tighten it. Thread the each end of the cord through a hand-sewing needle. Then draw the both ends to the wrong side of the fabric and knot.

NOTE:
Cut the filler cord at both ends, if the filler cord is stitched on the fabric and cannot be pulled.

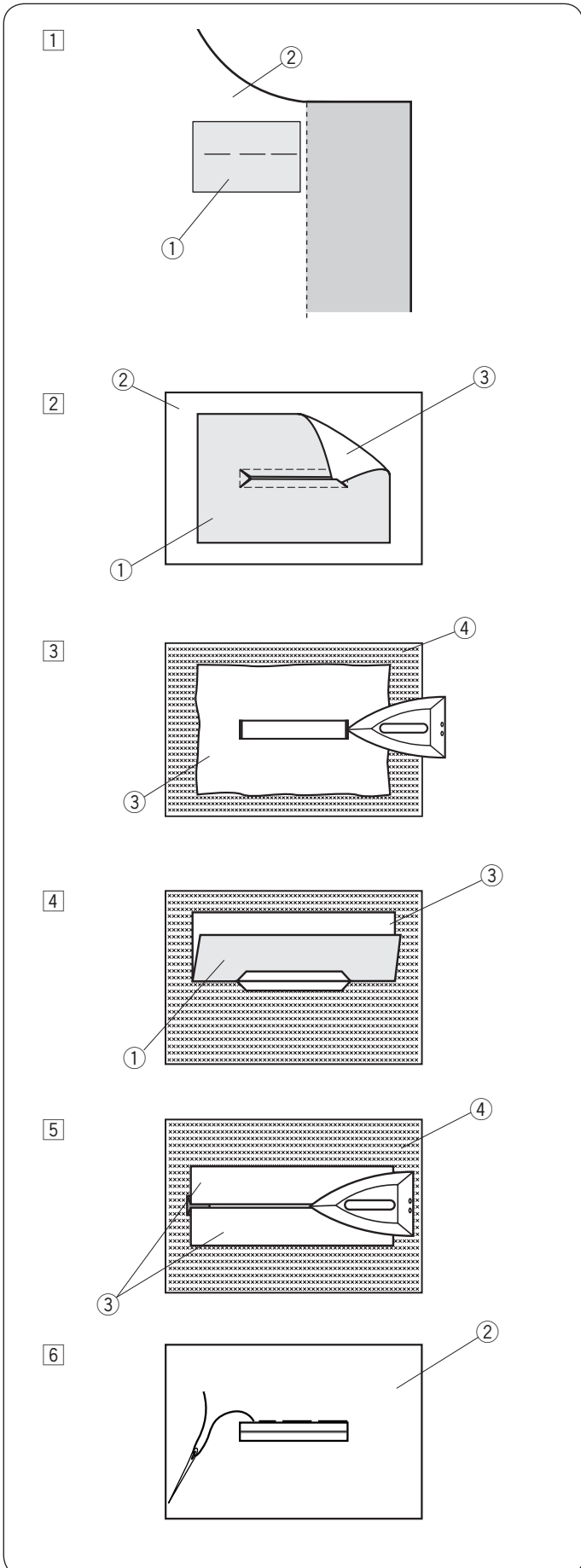


Welted Buttonhole

- ① Stitch pattern: 22
- ② Thread tension dial: 1 to 4
- ③ Presser foot: Automatic buttonhole foot R

A welted buttonhole is made by stitching a strip or patch of fabric to the buttonhole.

Welted buttonholes are particularly suitable for tailored garments, but are not recommended for sheer or delicate fabrics where the patch might show through or add bulk.



- ① Baste a patch to the garment fabric with the right sides together.

- ① Wrong side of patch
- ② Right side of garment fabric

- ② Select pattern 22.

Sew the welted buttonhole on both fabrics together. Cut the buttonhole opening as illustrated then pull the patch out through the slit to the other side.

- ① Wrong side of patch
- ② Right side of garment fabric
- ③ Right side of patch

- ③ Pull out the patch until the right side of the patch is showing. Use an iron to press both corner ends until they are squared off.

- ③ Right side of patch
- ④ Wrong side of garment fabric

- ④ Fold back each side of the patch to form buttonhole lips.

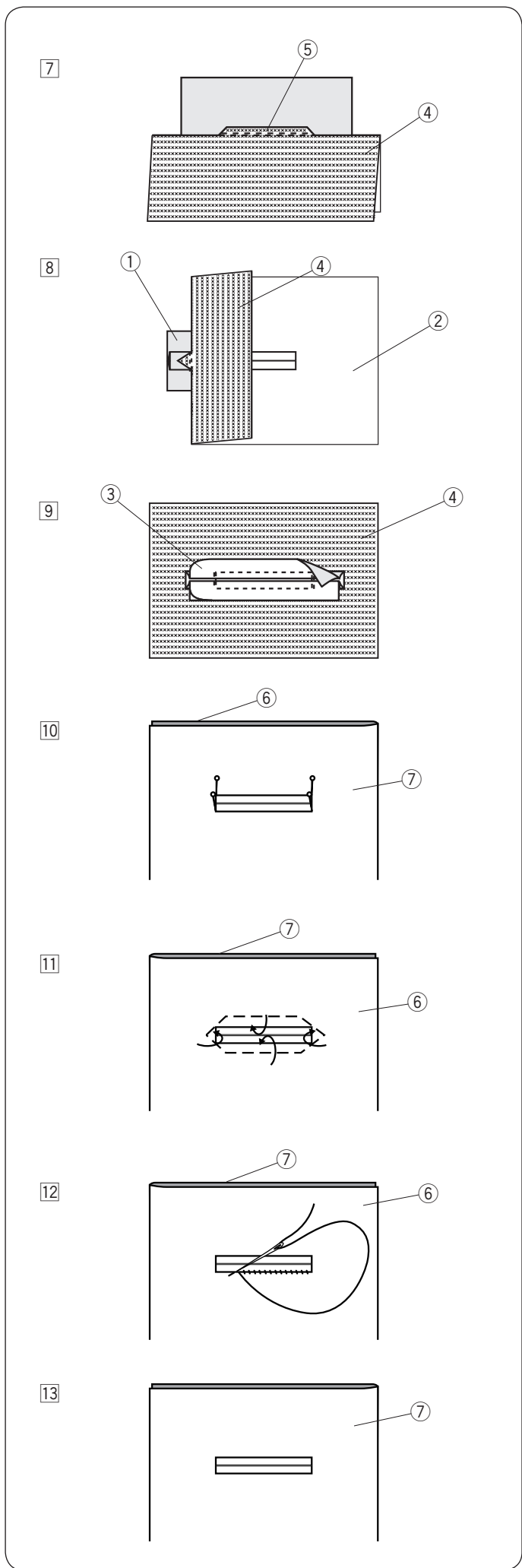
- ① Wrong side of patch
- ③ Right side of patch

- ⑤ Press both folds with an iron.

- ③ Right side of patch
- ④ Wrong side of garment fabric

- ⑥ Baste both edges of the seam with a needle and thread by hand.

- ② Right side of garment fabric



7 Fold over the length of the garment fabric, sew back and forth beside the original seam to secure flaps of the patch.

- 4 Wrong side of garment fabric
- 5 Sew back and forth

8 Fold over the end of fabric and sew back and forth three times over the triangular end.

- 1 Wrong side of patch
- 2 Right side of garment fabric
- 4 Wrong side of garment fabric

9 The patch should be cut 1 to 1.5 cm (7/16" – 5/8") away from the hole. The corners should be cut rounded off as shown.

- 3 Right side of patch
- 4 Wrong side of garment fabric

10 Place the facing on the wrong side of the garment fabric. Mark the 4 corners with pins as shown.

- 6 Facing
- 7 Garment fabric

11 Turn all the layers over and cut the buttonhole opening on the facing in the same way as step 2. Four marker pins show you the corner points on the facing. Fold back each flap between the facing and patch.

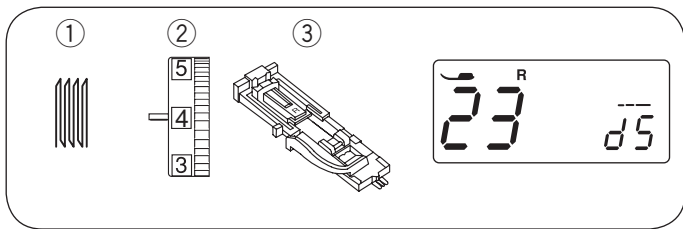
- 6 Facing
- 7 Garment fabric

12 Stitch around the opening with a needle and thread as shown.

- 6 Facing
- 7 Garment fabric

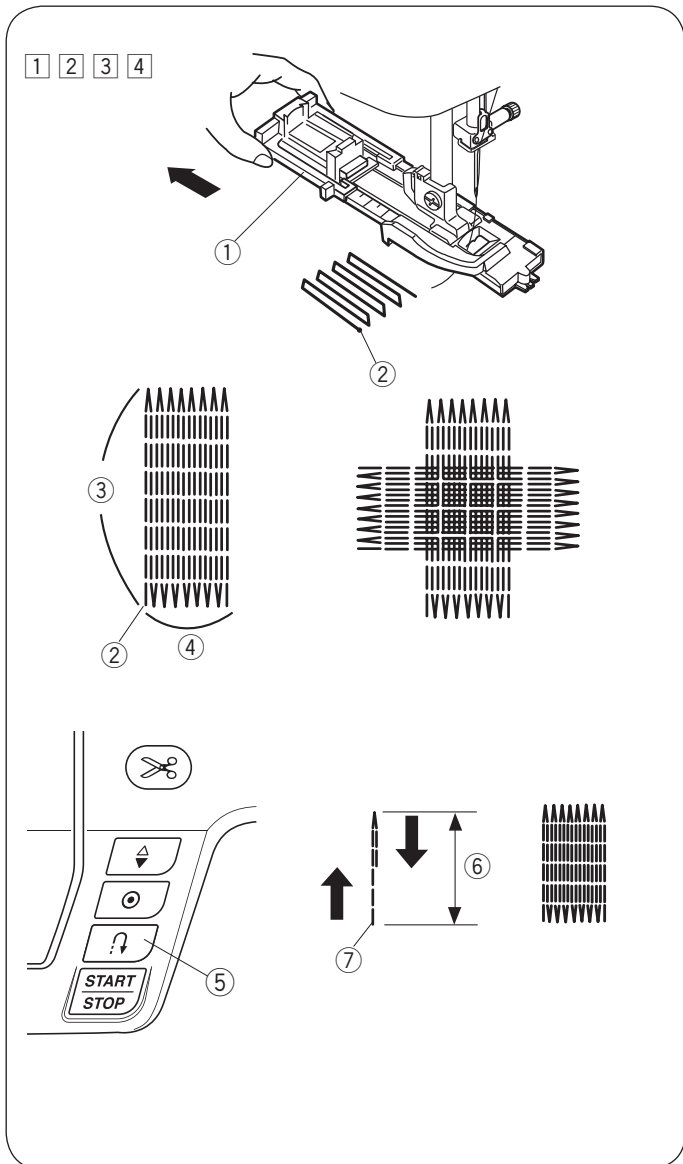
13 The welted buttonhole is complete.

- 7 Garment fabric



Darning Stitch

- ① Stitch pattern: 23
- ② Thread tension dial: 3 to 6
- ③ Presser foot: Automatic buttonhole foot R



Starting to sew

- ① Attach the automatic buttonhole foot R and pull the button holder ① all the way out.
Draw the needle thread to the left through the hole of foot.
 - ① Button holder
- ② Place the fabric under the foot, and lower the needle at the starting point ②. Then lower the foot.
 - ② Starting point
- ③ Start the machine. The machine will sew locking stitch, 16 rows of darning, locking stitch again and stop automatically.
- ④ Turn the fabric and repeat sewing in different direction.
 - ③ 2 cm (3/4")
 - ④ 0.7 cm (9/32")

Sewing a shorter darning

To sew a darning shorter than 2 cm (3/4"), first stop the machine after sewing the required length ⑥, then press the reverse button ⑤.

The required length ⑥ has been determined.

Start the machine again and continue sewing until the machine stops automatically.

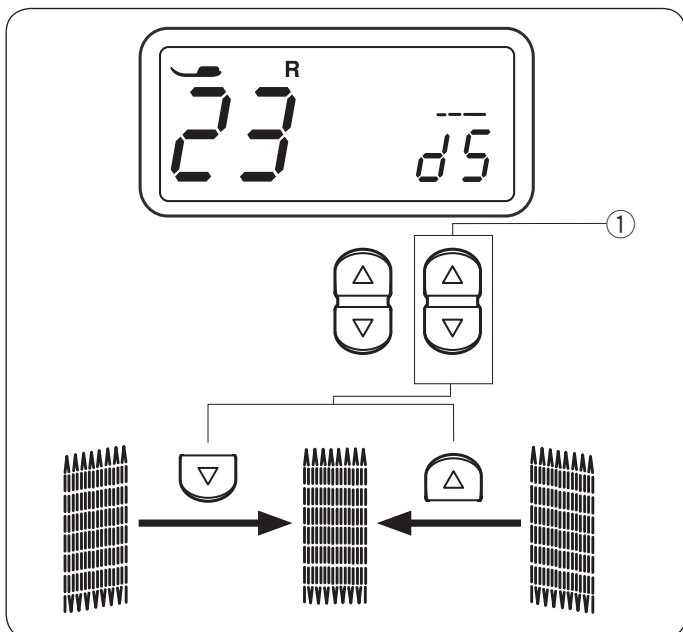
- ⑤ Reverse button
- ⑥ Required length
- ⑦ Starting point

Sewing a same-sized darning

Simply start the machine to sew another darning at the same size.

NOTE:

To reset the size of the darning, select the other stitch pattern and reselect the darning stitch.



Adjusting the evenness of darning

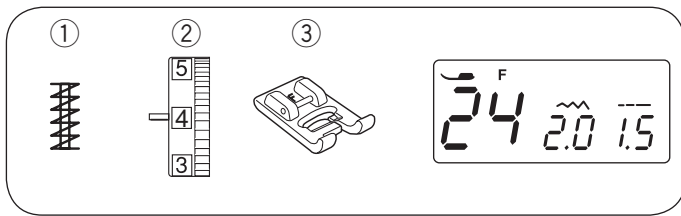
Correct the evenness of the darning as follows:

"d5" is the default setting value.

When the right side of the darn is lower than the left side, press the "△" sign on the stitch length adjusting button ① to set the value to "d6" to "d9", and make the darn even.

When the left side of the darn is lower than the right side, press the "▽" sign on the stitch length adjusting button ① to set the value to "d1" to "d4", and make the darn even.

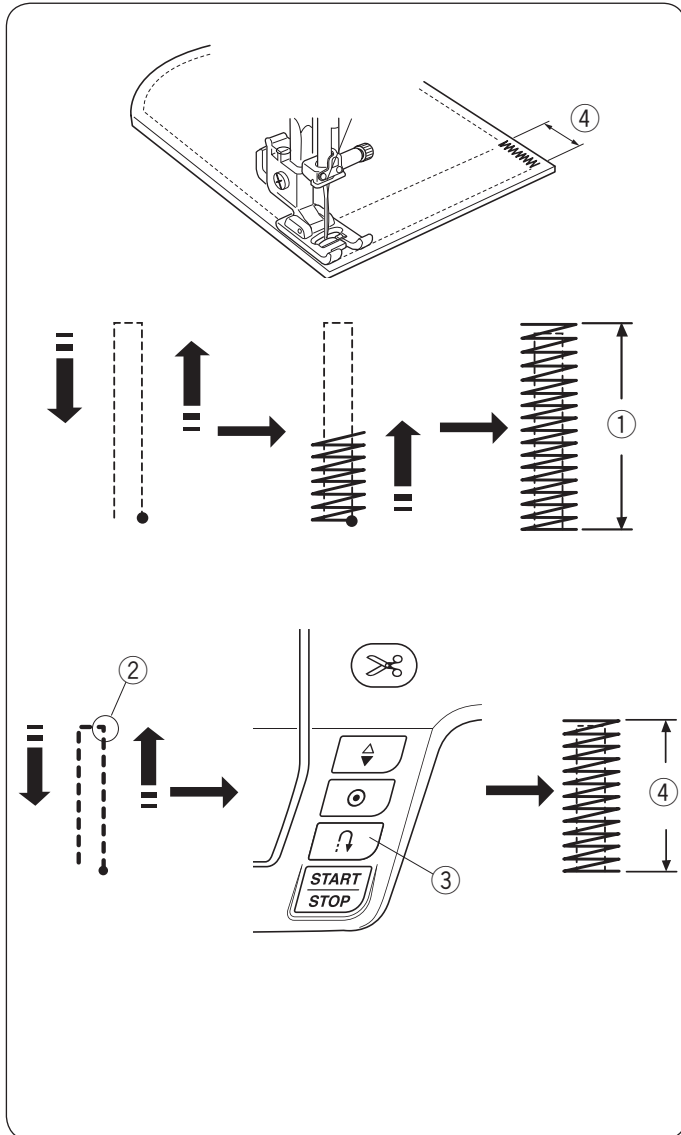
- ① Stitch length adjusting button



Tacking

- ① Stitch pattern: 24
- ② Thread tension dial: 3 to 6
- ③ Presser foot: Satin stitch foot F

Tacking is used to reinforce pockets, crotches and belt carriers where extra strength is needed.



Start sewing

Start the machine and sew until the machine stops automatically. The machine will sew a tacking 1.5 cm (5/8") long.

- ① 1.5 cm (5/8")

Sewing a shorter tack

To sew a tack shorter than 1.5 cm (5/8"), first stop the machine after sewing the required length, then press the reverse button.

The tack length has been determined.

Start the machine again and continue sewing until the machine stops automatically.

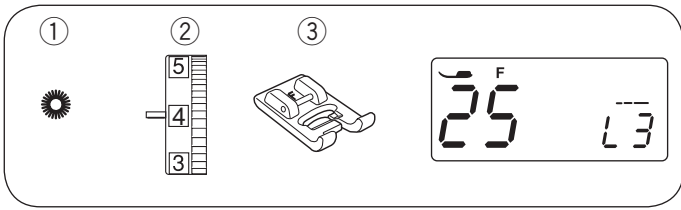
- ② Required length
- ③ Reverse button
- ④ Tack length

Sewing a same-size tacking

Simply start the machine to sew another tack at the same size.

NOTE:

To reset the size of the tacking, select the other stitch pattern and reselect the tacking.



Eyelet

- ① Stitch pattern: 25
- ② Thread tension dial: 1 to 4
- ③ Presser foot: Satin stitch foot F

The eyelet is used for belt holes etc.

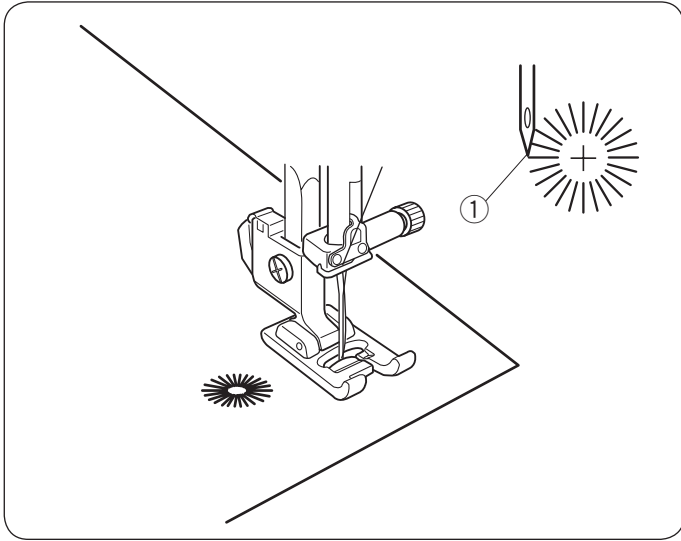
Starting to sew

Lower the needle at the starting point and lower the presser foot. Start the machine.

The machine will stop automatically when completed.

- ① Starting point

Open the eyelet with an awl, eyelet punch or pointed scissors (an awl, eyelet punch or pointed scissors are not provided with the machine).



Adjusting the shape of an eyelet

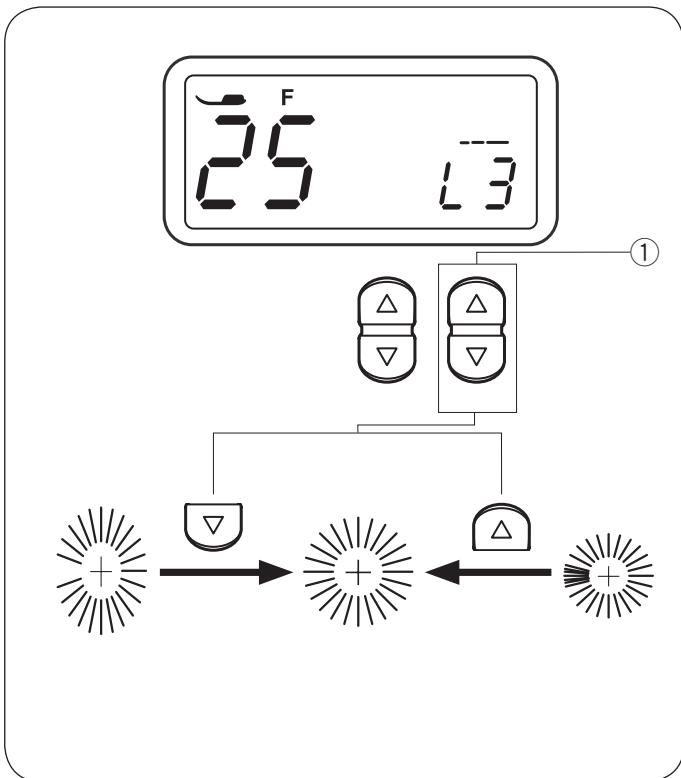
Correct the shape of the eyelet as follows:

“L3” is the default setting value.

If the eyelet gap overlaps, press the “△” sign on the stitch length adjusting button to make the darn even.

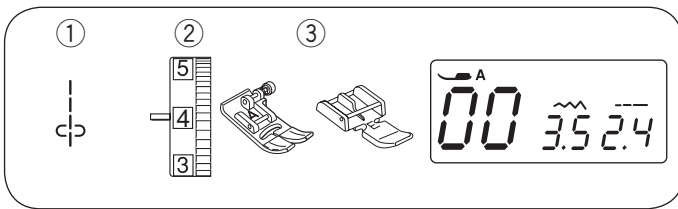
If the eyelet gap opens, press the “▽” sign on the stitch length adjusting key to make the darn even.

- ① Stitch length adjusting button



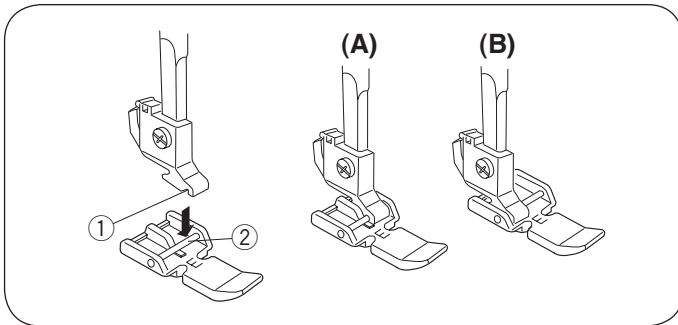
NOTE:

The shape can be adjusted within L1 to L5.



Zipper Sewing

- ① Stitch pattern: 00
- ② Thread tension dial: 1 to 4
- ③ Presser foot: Zigzag foot A
Zipper foot E

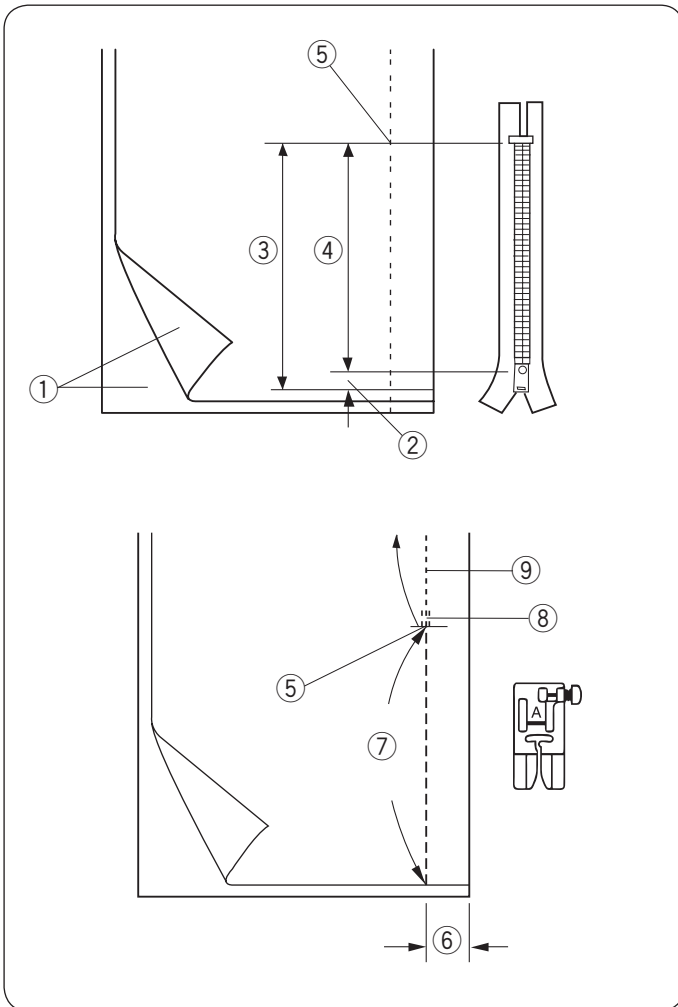


Attaching the zipper foot

Fit the pin on zipper foot E to the groove on the foot holder.

- ① Groove
- ② Pin

- (A): To sew the left side of the zipper, attach the zipper foot with the pin on the right-hand side.
- (B): To sew the right side of the zipper, attach the zipper foot with the pin on the left-hand side.



Fabric preparation

Add 1 cm (3/8") to the zipper length. This is the overall opening size.

- ① Right side of the fabric
- ② 1 cm (3/8")
- ③ Opening size
- ④ Zipper length
- ⑤ End of the zipper opening

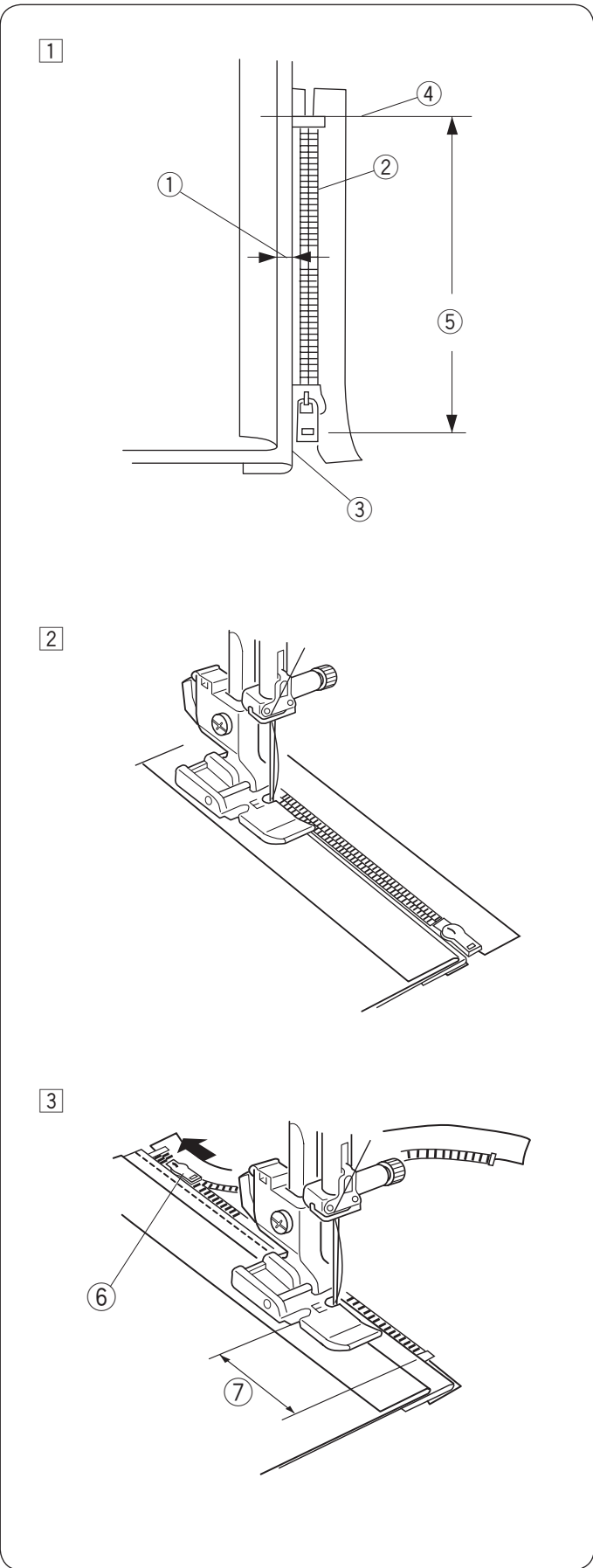
Place the right sides of the fabric together.

Attach the zigzag foot and seam up to the end of the zipper opening, with a 2 cm (13/16") seam allowance.

Reverse the stitch to fasten the seam.

Manually increase the stitch length to 5.0 and baste the zipper opening with the thread tension loosened to 1-3.

- ⑤ End of the zipper opening
- ⑥ 2 cm (13/16")
- ⑦ Basting
- ⑧ Reverse stitches
- ⑨ Seam stitches



Start sewing

1 Fold back the left seam allowance. Turn the right seam allowance under to form a 0.2 to 0.3 cm (1/8") margin. Place the zipper teeth next to the fold and pin in place. Set the stitch length and thread tension back to the original setting.

- ① 0.2 to 0.3 cm (1/8") margin
- ② Zipper teeth
- ③ Fold
- ④ End of the zipper opening
- ⑤ Opening size

2 Attach the zipper foot E with the pin on the right hand side.

Lower the foot onto the topside at the end of the zipper opening so that the needle pierces the fabric next to the fold and the zipper tape.



CAUTION:

Be sure that the needle does not strike the presser foot or zipper teeth when the zipper foot is attached.

3 Sew through all layers next to the fold.

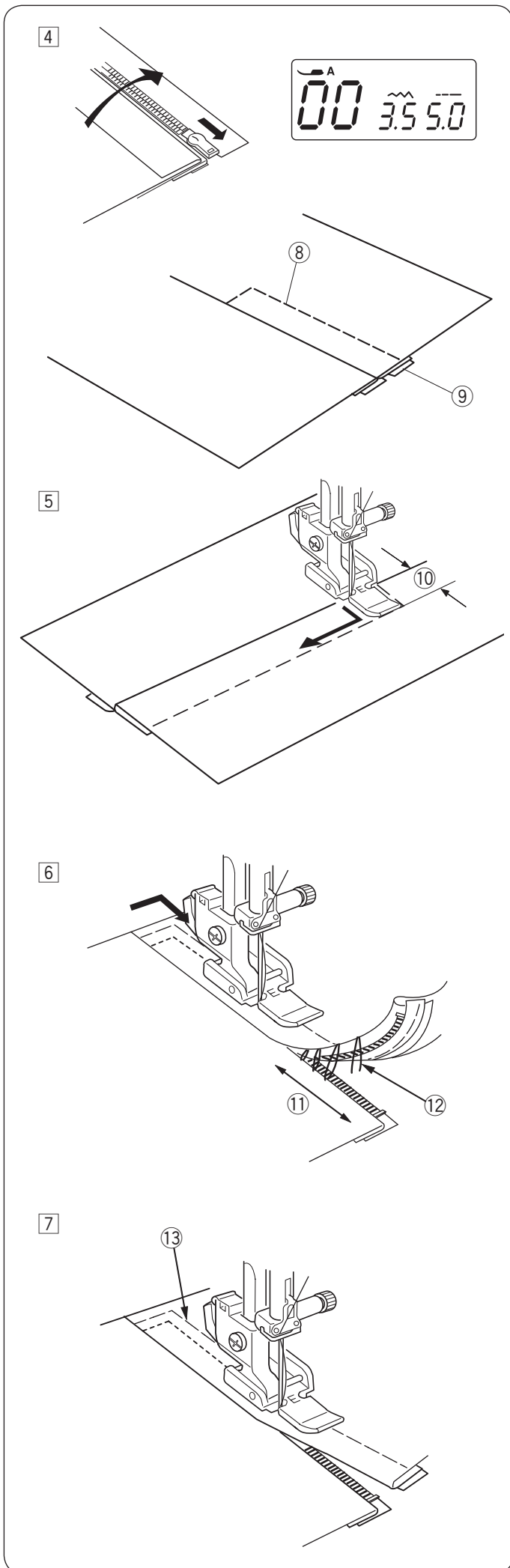
Stop the machine 5 cm (2") before the foot reaches the slider on the zipper tape.

Lower the needle slightly into the fabric.

Raise the foot and open the zipper to clear the slider.

Lower the foot and stitch the remainder of the seam.

- ⑥ Slider
- ⑦ 5 cm (2")



- 4 Close the zipper and spread the fabric open flat with the right side facing up. Attach the Zigzag foot A. Adjust the stitch length to 5.0, stitch width to 3.5 (default value) and the thread tension dial to 1-3. Baste the opened fabric and zipper tape together.

- ⑧ Basting stitch
- ⑨ Zipper tape

- 5 Attach the zipper foot E with the left pin. Adjust the stitch length and the stitch width to default value, and thread tension dial to "4".

Backstitch across the end of the opening 0.7-1 cm (3/8") and turn the fabric 90 degrees.

- ⑩ 0.7-1 cm (3/8")

⚠ CAUTION:

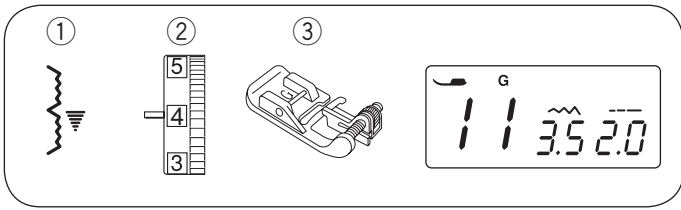
Be sure that the needle does not strike the presser foot or zipper teeth when the zipper foot is attached.

- 6 Stitch through the garment and zipper tape, guiding the zipper teeth along the side edge of the foot. Stop the machine 5 cm (2") before the foot reaches the slider on the zipper tape. Lower the needle into the fabric, and raise the foot. Remove the basting stitches.

- ⑪ 5 cm (2")
- ⑫ Basting stitches

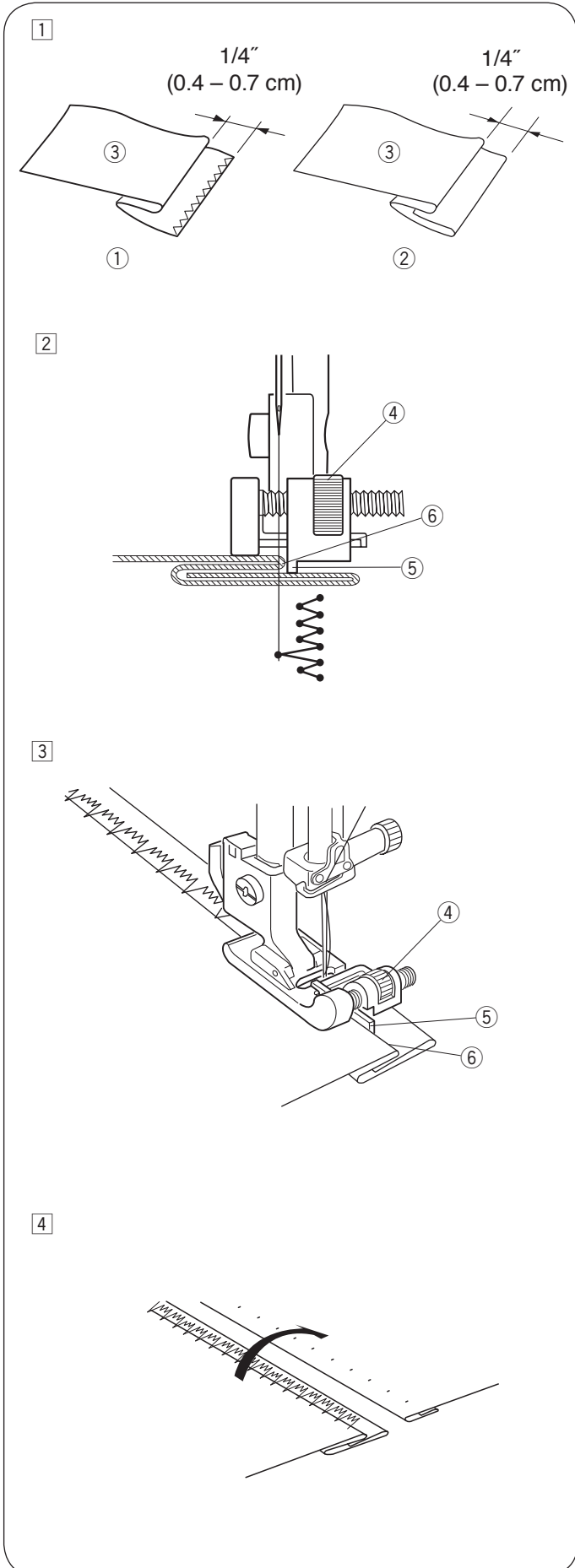
- 7 Open the zipper, then lower the foot and stitch the remainder of the seam. After sewing is finished, remove the basting stitches on the upper fabric.

- ⑬ Basting stitches on upper fabric



Blind Hemming

- ① Stitch pattern: 11
- ② Thread tension dial: 2 to 6
- ③ Presser foot: Blind hem foot G



- 1 Use the same color thread as the fabric. On heavy weight fabrics that ravel, the raw edge should be overcast first.

Fold the hem, as illustrated.

- ① Heavy weight fabric
- ② Light weight fabric
- ③ Wrong side of the fabric

- 2 There is a sliding guide screw on the blind hem foot that allows you to control where the needle pierces the edge of the fabric fold.

Adjust the screw so that at the leftmost position of the stitch, the needle just pierces the edge of the fold.

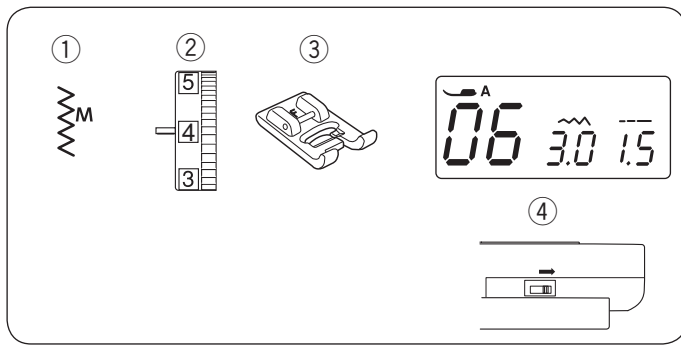
NOTE:

If the needle pierces too far left, the stitch will show through on the right side of the fabric.

- ④ Screw
- ⑤ Guide
- ⑥ Folded edge

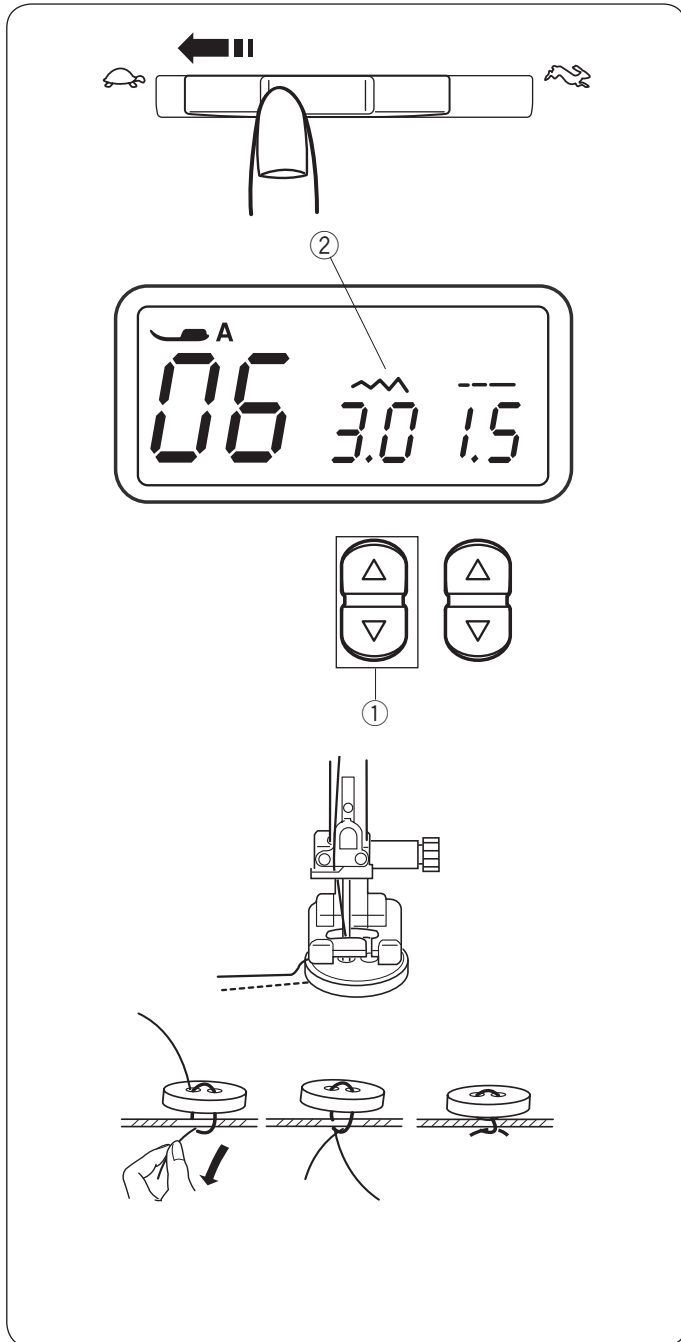
- 3 Lower the presser foot. Sew, guiding the folded edge along the guide in the foot.

- 4 Open the fabric after sewing is finished.



Button Sewing

- ① Stitch pattern: 06
- ② Thread tension dial: 3 to 7
- ③ Presser foot: Satin stitch foot F
- ④ Feed dog: Lowered



Lower the feed dog.

Set the speed control slider at a slower speed.

Match the holes of button to the horizontal slot of the presser foot and lower the foot to hold the button in place.

Press the stitch width adjusting button ① to adjust the stitch width ② so the needle will enter the left hole of the button.

Turn the handwheel so that the needle will enter the right hole of the button. Readjust the stitch width if necessary.

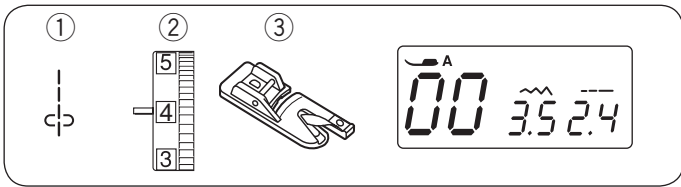
- ① Stitch width adjusting button
- ② Stitch width (adjust to span of holes)

Stitch several times.

After you finish sewing, cut the thread but leave 10 cm (4") of threads at the end.

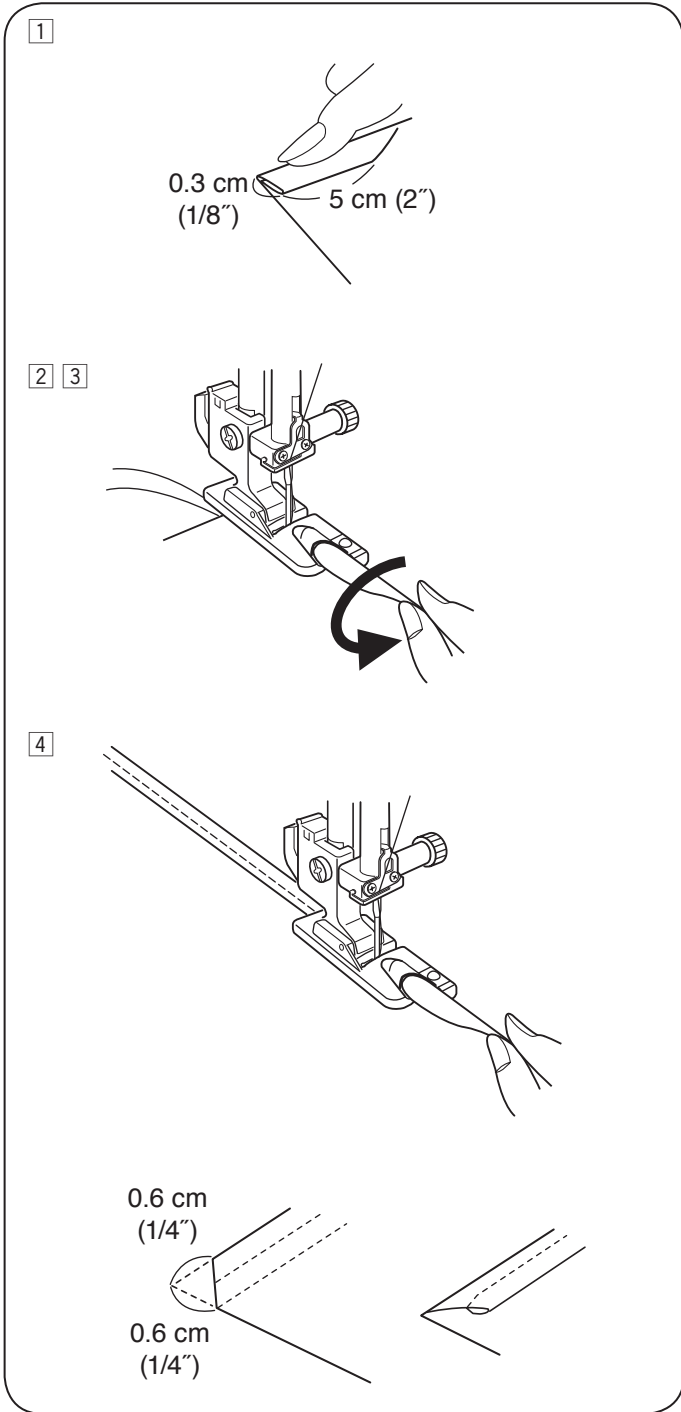
Pull the bobbin thread to draw the top thread to the reverse side of the fabric and knot the threads.

After the button sewing is completed, raise the feed dogs for normal sewing.



Rolled Hem

- ① Stitch pattern: 00
- ② Needle thread tension: 2 to 6
- ③ Presser foot: Rolled hem foot D



- ① Attach the rolled hem foot D.
Fold the fabric edge twice to form a hem, 0.3 cm (1/8") wide and 5 cm (2") long then press.

- ② Place the fabric aligning the hem edge with the guide of the foot. Turn the hand wheel to lower the needle to the starting point.

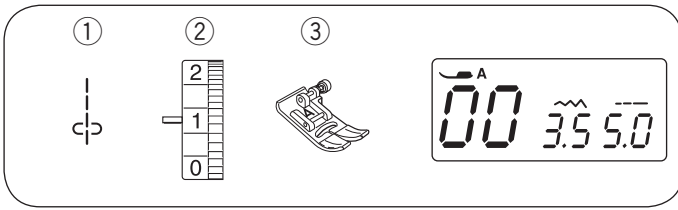
Lower the foot and sew several stitches slowly while pulling on the threads to assist feeding the fabric.

- ③ Stop the machine and lower the needle into the fabric. Raise the foot and insert the folded portion of the fabric into the curl of the foot.

- ④ Lower the foot and sew while lifting the edge of the fabric to keep it feeding into the curl smoothly and evenly.

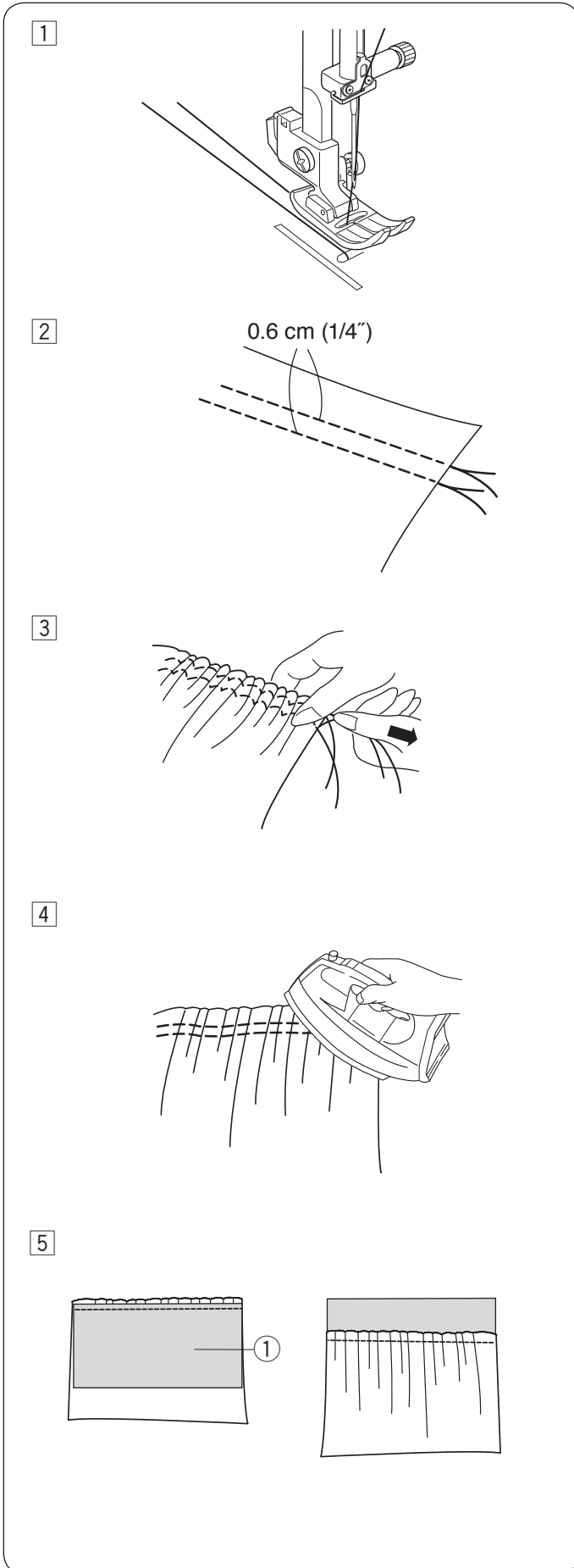
NOTE:

Trim the corner 0.6 cm (1/4") for easier insertion of the hem into the foot.



Gathering

- ① Stitch pattern: 00
- ② Thread tension dial: 1
- ③ Presser foot: Zigzag foot A



- ① Loosen the thread tension to “1” and increase the stitch length to 5.0.
Pull both threads 10 cm (4”) under and behind the presser foot (refer to page 23).

- ② Sew two rows of straight stitches 0.6 cm (1/4”) apart.
Knot the threads at the beginning.

NOTE:

Use the thread cutter on the face cover when cutting the threads (refer to page 27).

- ③ Pull the bobbin threads at the end to gather the fabric.

- ④ Knot the threads at the end and distribute the gathers evenly.

- ⑤ Prepare the fabric to attach the gathering.
Tighten the thread tension to “4” and decrease the stitch length to “2.4” (default settings).
Place the wrong side of the fabric ① under the gathering.
Sew the straight stitch between the two gathering rows.
Remove the two rows of straight stitches.

NOTE:

You may sew the straight stitch under the two gathering rows to cover the remains of gathering rows.

DECORATIVE STITCHES

Patchwork

- ① Stitch pattern: 52 and 44
- ② Thread tension dial: 3 to 6
- ③ Presser foot: Zigzag foot A
Satin stitch foot F

① Place the patchwork pieces right sides together. Select stitch pattern 52. Sew a precise 1/4" seam allowance.

- ① Wrong side of fabric
- ② Right side of fabric

② Replace the presser foot with satin stitch foot F. Select the patchwork pattern 44. The stitch patterns 40, 41 and 60 can also be used.

③ Press the seam allowance to open. Sew the stitch pattern on the right side of the garment centering over the seam line.

Angle scale on the needle plate

You can easily seam patchwork pieces at the desired angles without marking, by using the unique angle scales on the needle plate.

The angle scales are marked at 45, 60, 90 and 120 degrees.

Attach Zigzag foot A when using the angle scale. Align the edge of the fabric to the 1/4" seam guide line.

- ③ 1/4" seam guide line

Shell tuck

- ① Stitch pattern: 13
- ② Thread tension dial: 6 to 8
- ③ Presser foot: Satin stitch foot F

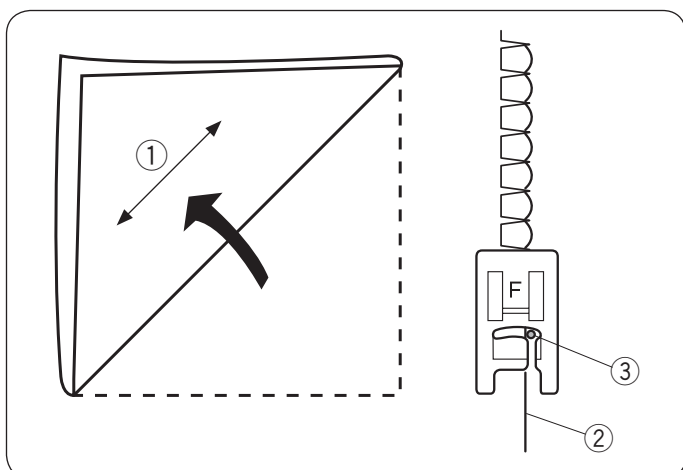
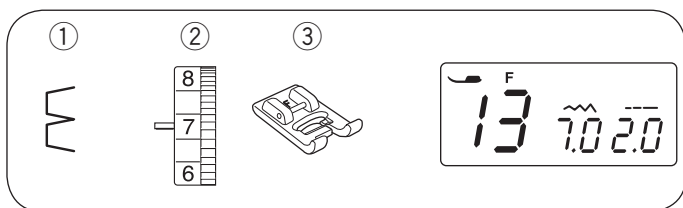
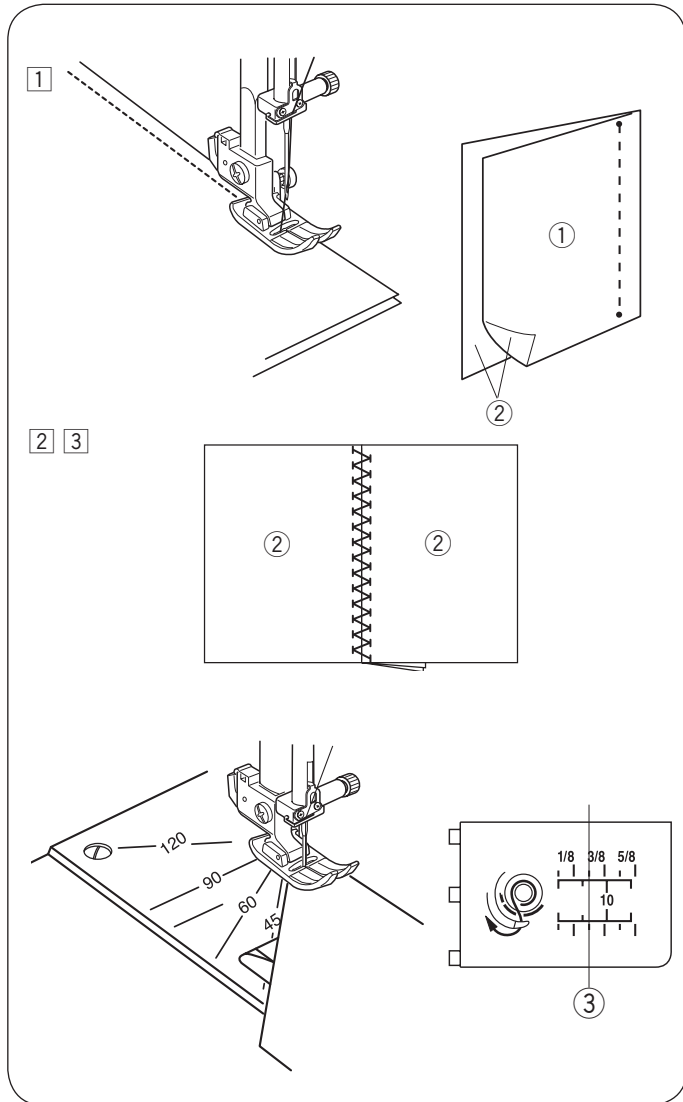
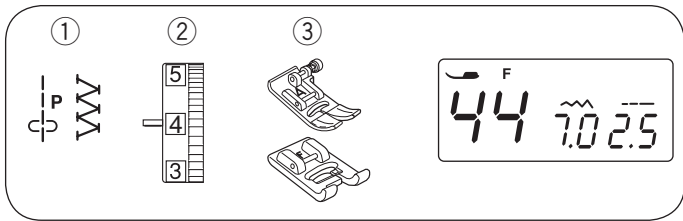
Use a lightweight fabric (tricot, for example). Fold the fabric in bias as shown and stitch on the fold.

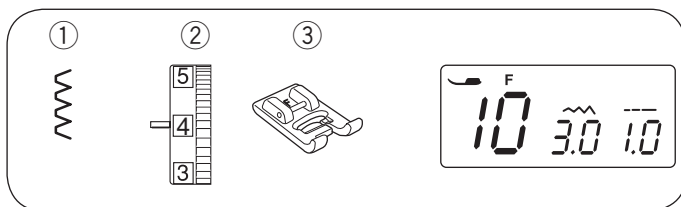
Allow the needle to barely clear the folded edge to create a shelled edge.

- ① Bias
- ② Folded edge
- ③ Right needle drop position

If you sew rows of shell tuck, space the rows at least 1.5 cm (5/8") apart.

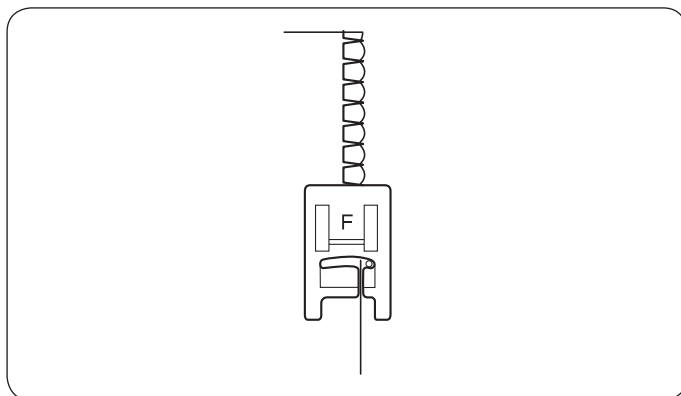
You can also sew shell tuck on knits or soft silky woven fabrics, in any direction.





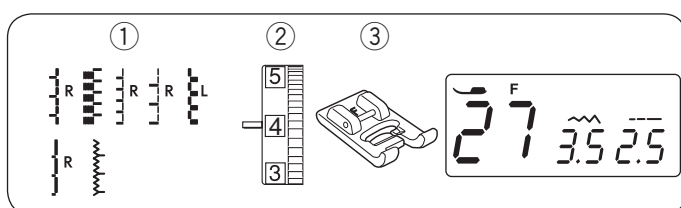
Lingerie Stitch

- ① Stitch pattern: 10
- ② Thread tension dial: 2 to 8
- ③ Presser foot: Satin stitch foot F



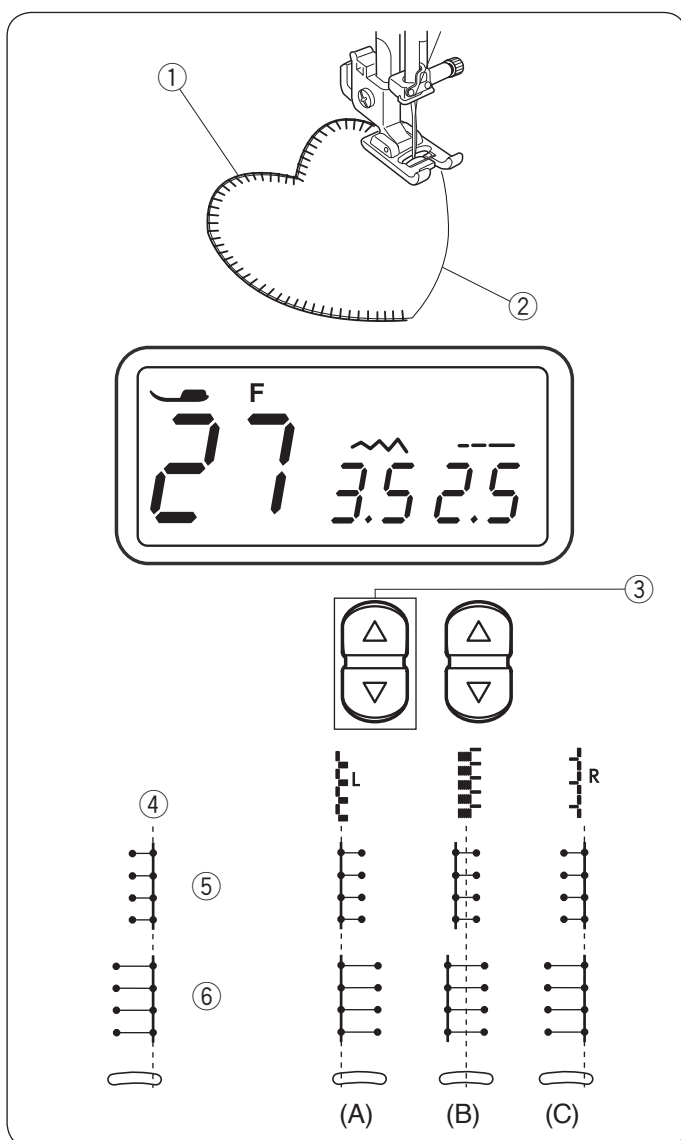
Sew a fine seam in lingerie and lightweight knits. The small seam size stretches and is comfortable to wear.

Place fabric edges so needle just clears edge when it swings off the fabric to the right.



Applique

- ① Stitch pattern: 27
 - ② Thread tension dial: 1 to 4
 - ③ Presser foot: Satin stitch foot F
- * The stitch patterns 26, 28-32 can also be used.



Place an applique on the fabric and baste or pin it in place.

Lower the needle at the outer edge of the applique. Sew while guiding the fabric so the needle falls along the outer edge of the applique.

- ① Applique
- ② Outer edge

When turning a sharp corner, stop the machine with the needle at the outer edge of the applique.

Raise the foot and pivot the fabric around the needle to change the sewing direction.

• Adjusting the stitch width

Select pattern 27.

Press the “▽” sign on the stitch width adjusting button ③ to decrease the stitch width ⑤.

Press the “△” sign on the stitch width adjusting button ③ to increase the stitch width ⑥.

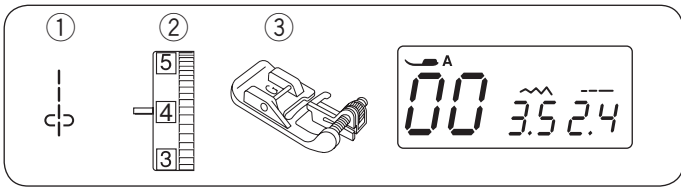
- ③ Stitch width adjusting button

The stitch width will be varied based on the right needle drop position ④.

(A) The stitch pattern 30 has a fixed left needle drop position. When you change the stitch width, the right needle drop position will change.

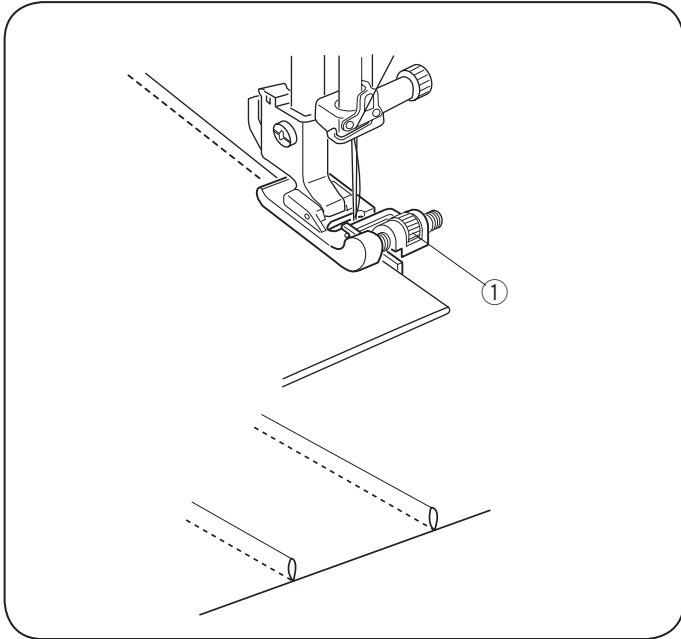
(B) The stitch patterns 26 and 32 have a fixed center needle drop position. The stitch width changes symmetrically.

(C) The stitch patterns 27-29 and 31 have a fixed right needle drop position. When you change the stitch width, the left needle drop position will change.

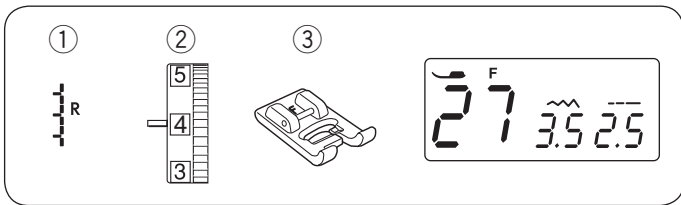


Pintucks

- ① Stitch pattern: 00
- ② Needle thread tension: 2 to 6
- ③ Presser foot: Blind hem foot G

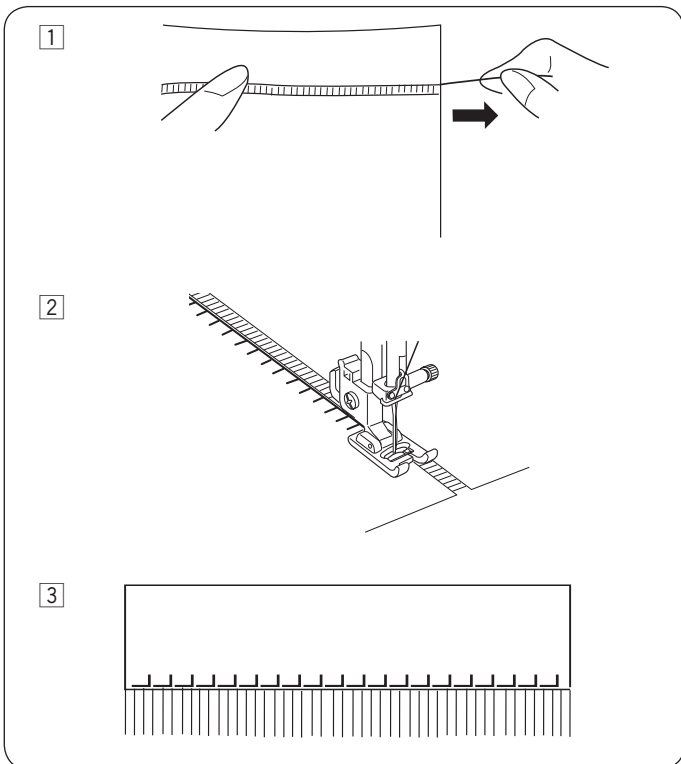


A beautiful accent to any project. Pintucks should be added to your fabric before cutting out the pattern piece. Use a washable marker to draw parallel lines for pintucks on fabric right side. Fold fabric on first line with wrong sides together. Place folded edge against guide on foot. Decide how wide you want the pintucks and move the thumb nut ① to move the guide. Sew pintuck. Sew remaining pintucks using same method. Remove marking lines. Press pintucks to one side.



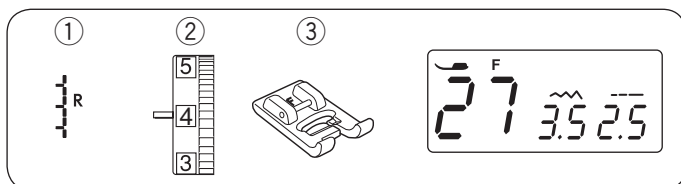
Fringing

- ① Stitch pattern: 27
- ② Thread tension dial: 1 to 4
- ③ Presser foot: Satin stitch foot F



Fringing adds a special touch on table linens and shawls. Choose a firm, woven fabric like linen where threads can be removed easily.

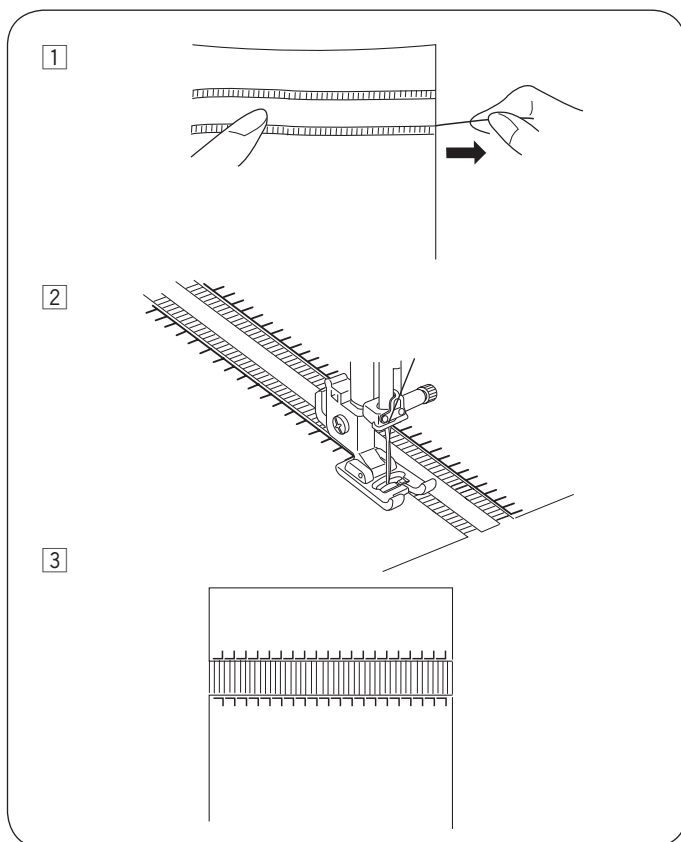
- ① Carefully cut the fabric on the grain. Remove a single strand of yarn or thread where the fringing is to begin.
- ② Sew down the left side so the right hand stitches fall in the open space.
- ③ Remove all excess yarn located to the right of the stitching and create a fringe.



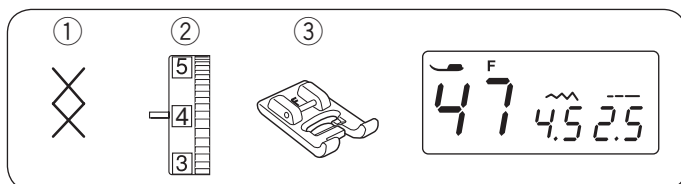
Drawn Work

- ① Stitch pattern: 27
- ② Thread tension dial: 1 to 4
- ③ Presser foot: Satin stitch foot F

Drawn work uses the same method as fringing. Choose a firm, woven fabric like linen where threads can be removed easily.



- ① Carefully cut the fabric on the grain. Determine the width of the drawn work and remove one strand of yarn or fabric thread at each end.
- ② Sew down the left side, guiding the fabric so the right hand stitches fall in open space. After finishing the left side, turn the fabric around 180°. Sew down the other side.
- ③ Remove the yarn or fabric threads between the stitching.



Cross Stitch

- ① Stitch pattern: 47
- ② Thread tension dial: 3 to 6
- ③ Presser foot: Satin stitch foot F

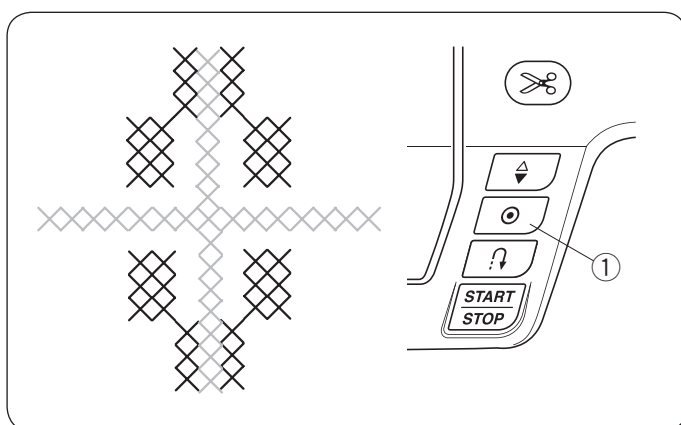
You can make cross stitch designs with this pattern, in half the time it would take if embroidered by hand.

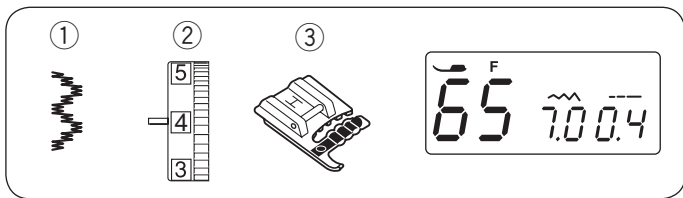
Use a plain close woven fabric such as linen or wool flannel. If you use light weight fabric, apply a tear away backing for support.

Sew from the center of the design outward.

If you press the auto-lock button before sewing, the machine will sew one unit of the cross stitch and stop automatically.

- ① Auto-lock button





Corded Trim

- ① Stitch pattern: 65
- ② Thread tension dial: 3 to 6
- ③ Presser foot: Cording foot H

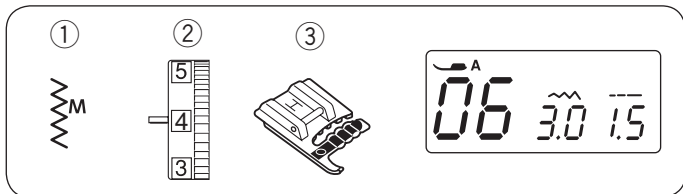
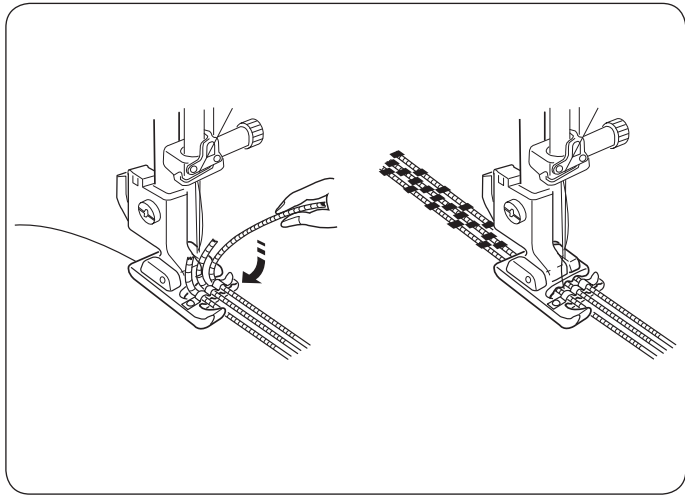
Sew over three strands of cording to create unique borders and trims. Pearl cotton, knitting yarn, embroidery floss, lace thread, fine wool or lily yarn may be used as cording.

Attach the cording foot H.

Slide the sewing threads to the left and insert three strands of cording into the slots of H cording foot with 5 cm (2") extending behind the foot. Knot together the strand ends. (The slots on H foot will hold the lengths of cording while stitches form over them.)

Mark design on the right side of the fabric with a washable marker.

Stitch slowly and smoothly, turning the fabric as you sew while guiding the cording over the design lines.



Single Cord For Gathering Heavy Fabric

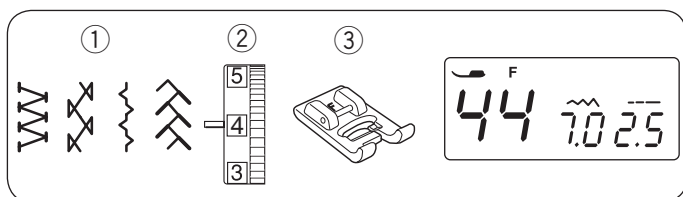
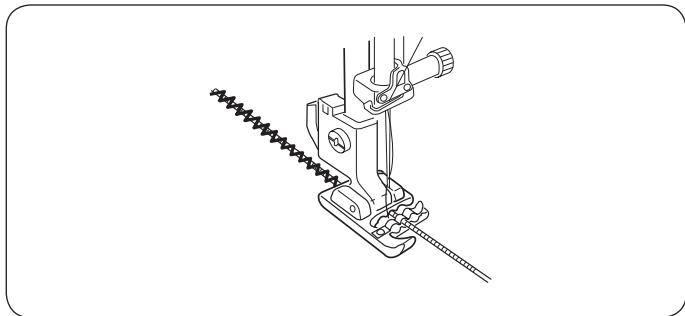
- ① Stitch pattern: 06
- ② Thread tension dial: 3 to 6
- ③ Presser foot: Cording foot H

Attach the cording foot H.

Insert a single cord in center groove of H foot. Sew over cord.

Pull cord for desired amount of gathering. Secure ends and distribute gathers evenly.

Lay gathered fabric over flat fabric and sew the two fabrics together using straight stitch with stitch length at 3.0 or higher.



Fagoting

- ① Stitch pattern: 44
- ② Thread tension dial: 3 to 6
- ③ Presser foot: Satin stitch foot F

* The stitch patterns 40, 41 and 60 can also be used.

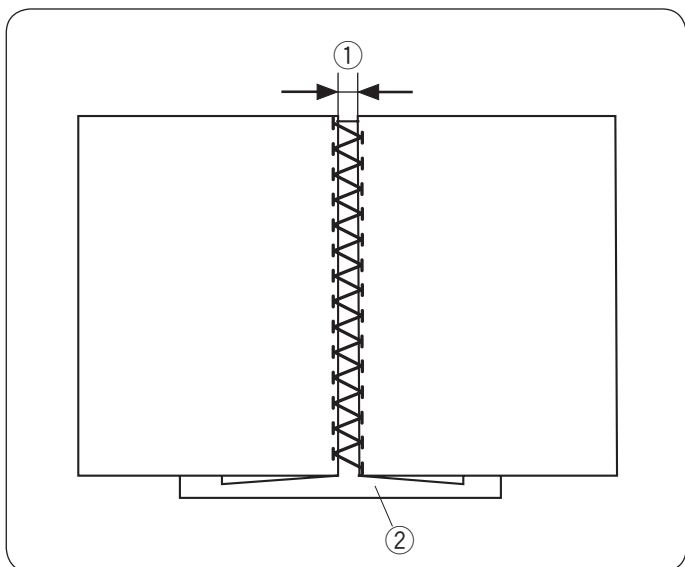
Use these stitches to join two pieces of fabric to create an open work appearance and add design interest.

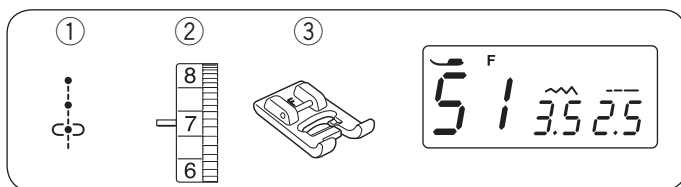
Fold under each fabric edge 1.5 cm (5/8") and press. Pin the two edges to paper or tear backing 0.3–0.4 cm (1/8") apart.

Sew slowly, guiding the fabric so the needle catches the folded edge on each side.

After sewing is finished, tear away the paper.

- ① 0.3–0.4 cm (1/8")
- ② Paper

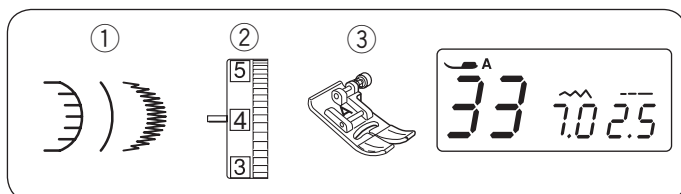
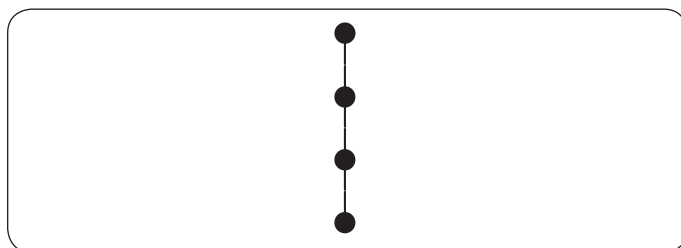




French Knots

- ① Stitch pattern: 51
- ② Thread tension dial: 5 to 8
- ③ Presser foot: Satin stitch foot F

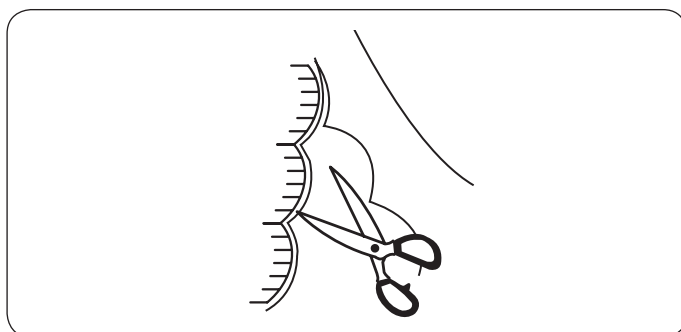
Select the stitch pattern 51 for French knots.
Tighten the thread tension to 5-8 when sewing.



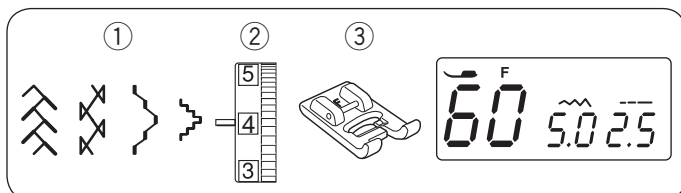
Scallop Stitch

- ① Stitch pattern: 33
- ② Thread tension dial: 3 to 6
- ③ Presser foot: Zigzag foot A
- * The stitch patterns 43 and 69 can also be used.

Sew the stitches approximately 1 cm (3/8") inside the fabric edge.



Trim the outside of the stitches as shown. Make sure not to cut the thread.



Smocking

- ① Stitch pattern: 60
- ② Thread tension dial: 1 to 4
- ③ Presser foot: Satin stitch foot F
- * The stitch patterns 40, 45 and 46 can also be used.

Smocking is a delicate decorative treatment used on children's clothes or women's blouses.

Use a soft and lightweight fabric such as batiste, gingham or challis.
Cut the fabric three times wider than the projected width.

Select straight stitch, set stitch length at "5.0" and loosen the thread tension.

Sew rows of straight stitches 1 cm (3/8") apart across the area to be smocked. Knot the threads along one edge. From the other edge, pull the bobbin threads to distribute the gathers evenly.

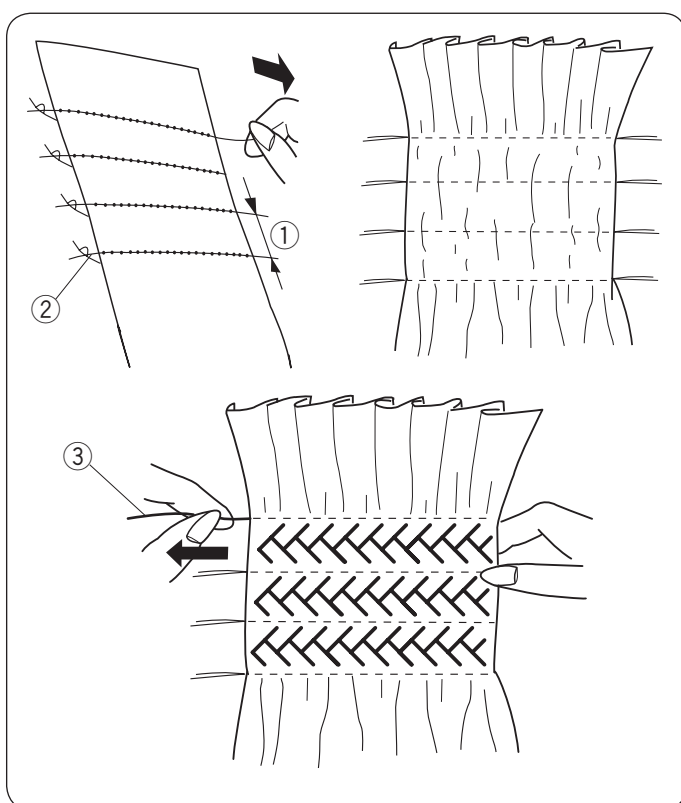
- ① 1 cm (3/8")
- ② Knotted thread

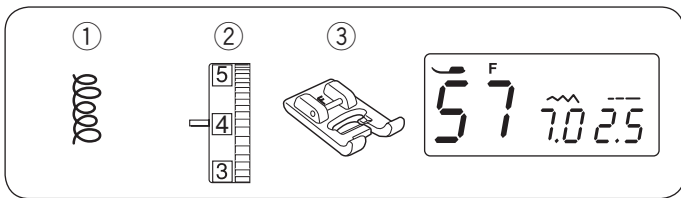
Set the thread tension to 1-4 and select a smocking stitch pattern.

Sew the smocking stitch pattern between the rows of straight stitches.

Remove the straight stitches by pulling them out.

- ③ Straight stitch

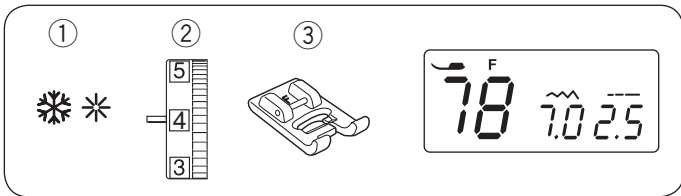
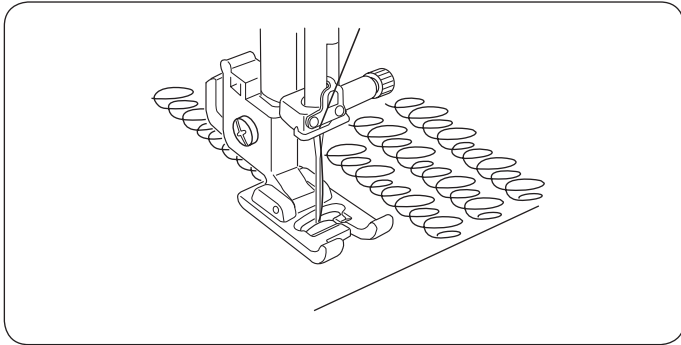




Stippling Stitch

- ① Stitch pattern: 57
- ② Thread tension dial: 3 to 6
- ③ Presser foot: Satin stitch foot F

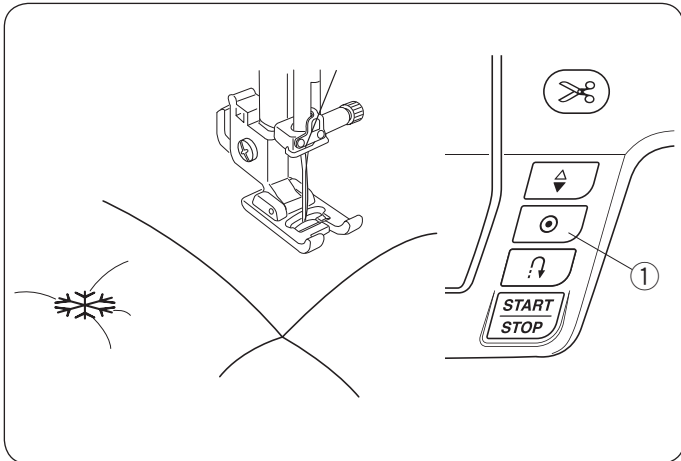
A pre-programmed stippling stitch is a fast and easy method to quilt small areas. Place a batting (wadding) between quilt top and backing fabric.

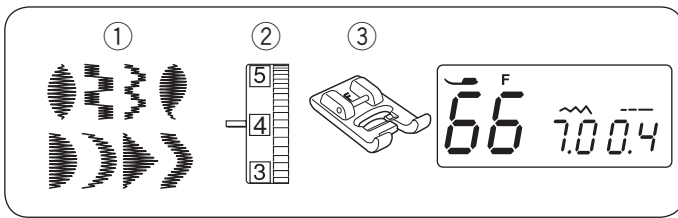


Clasp Stitch

- ① Stitch pattern: 78
 - ② Thread tension dial: 3 to 6
 - ③ Presser foot: Satin stitch foot F
- * The stitch pattern 48 can also be used.

You can close quilt layers and using the clasp stitch. Select the clasp stitch. Press the auto-lock button. Start sewing. The machine sews clasp stitch and locking stitch then stops automatically.





Satin Stitches

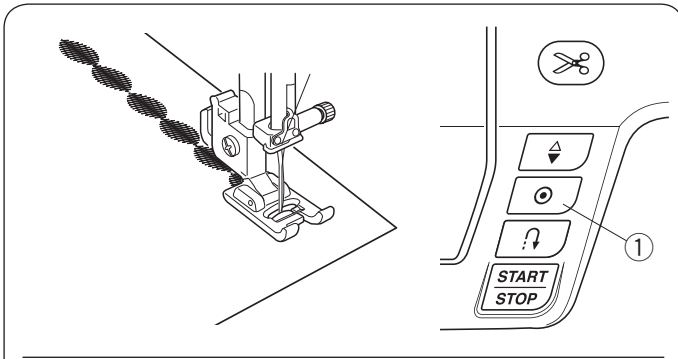
- ① Stitch pattern: 66
- ② Thread tension dial: 1 to 4
- ③ Presser foot: Satin stitch foot F

* The stitch patterns 64-65 and 67-71 can also be used.

For better sewing results, interfacing should be used on the wrong side of the fabric when you use stretch or elastic fabrics.

Press the auto-lock button to finish the end of the pattern.

- ① Auto-lock button



Elongation ratio

The stitches in this group can be elongated up to 5 times their original length while the stitch density remains the same.

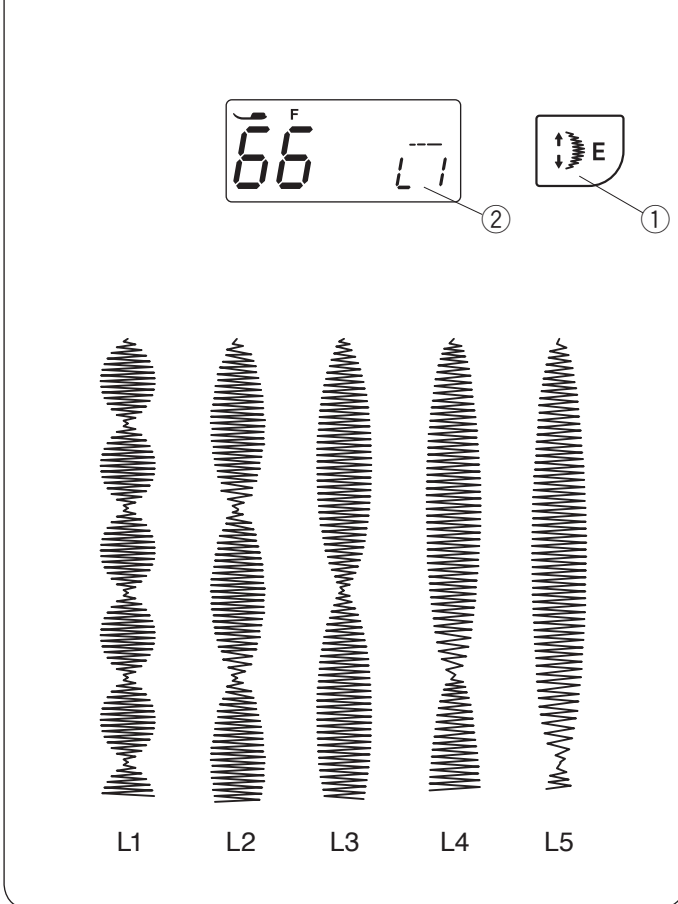
Example: Pattern number 66

Select pattern number 66.

Press the elongation key to select the desired elongation ratio.

Elongation ratio is indicated in multiples of the original pattern length; L1 (original length) to L5.

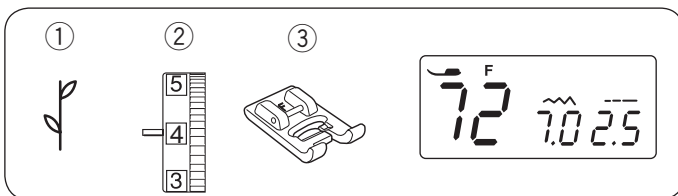
- ① Elongation key
- ② Elongation ratio



Decorative Stitches

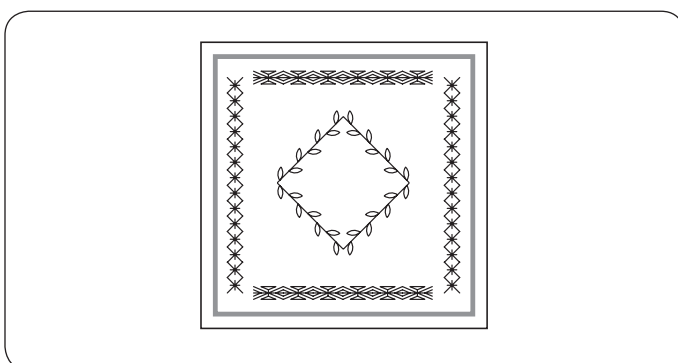
- ① Stitch pattern: 72
- ② Thread tension dial: 3 to 6
- ③ Presser foot: Satin stitch foot F

* Stitch patterns 73 to 99 can also be used.



For the best sewing results, carefully align and guide the fabric when you sew with decorative stitches.

Use a tear-way backing if necessary.



CARE OF YOUR MACHINE

Cleaning the Hook Race and Feed Dog

! WARNING:

Turn the power switch off and unplug the machine before cleaning.

Do not dismantle the machine other than as explained in this section.

! CAUTION:

Do not store the machine in a high-humidity area, near a heat radiator, or in direct sunlight.

NOTE:

Clean the outside of the machine with a soft cloth and neutral soap.

After cleaning the machine, make sure the needle and presser foot are attached.

Press the needle up/down button to raise the needle, turn the power switch off, then unplug the sewing machine.

Remove the needle and presser foot.

Remove the hook cover plate by sliding the hook cover plate release button to the right. Take out the bobbin.

Brush out dust and lint. (You may also use a vacuum cleaner.)

1 Remove the setscrews on the needle plate with the screwdriver supplied with the machine. Remove the needle plate.

1 Setscrew

2 Needle plate

2 Lift up the bobbin holder and remove it.

3 Bobbin holder

3 Clean the bobbin holder with a lint brush.

4 Lint brush

4 Clean the feed dog and hook race with the lint brush.

5 Feed dog

6 Hook race

5 Clean the inside of the hook race with a dry cloth.

You may also use a vacuum cleaner.

Installing the Bobbin Holder

1 Insert the bobbin holder so that the knob fits next to the stopper in the hook race.

1 Bobbin holder

2 Knob

3 Stopper

2 Attach the needle plate with the setscrews.

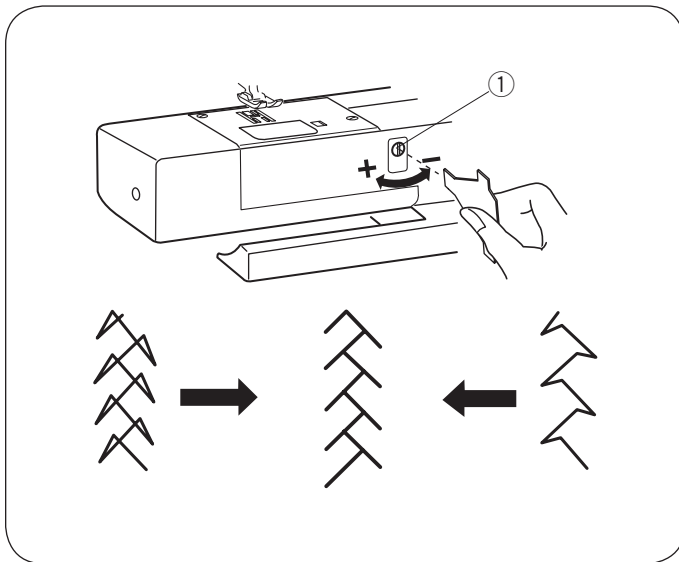
After cleaning the machine, make sure the needle and presser foot are attached.

4 Needle plate

5 Setscrew

NOTE:

Frequent use of the machine causes lint and thread residue build up in the hard to reach part of the machine, which may cause malfunction. We recommend to clean up the inside of the machine periodically. Contact the service center or the store from where the machine was purchased.



Correcting Distorted Stretch Stitch Patterns

The sewing results of the stretch patterns may vary depending upon the sewing conditions, such as sewing speed, type of fabric, number of layers etc.

Always test sew on a scrap piece of the fabric that you wish to use.

If stretch patterns are distorted, correct them with the feed adjusting screw.

① Feed adjusting screw


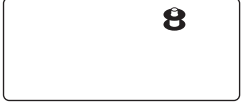
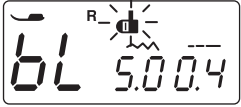


- **Stretch stitch pattern (Example: stitch pattern 60)**

If the pattern is compressed, turn the feed adjusting screw in the direction of “+”.

If the pattern is drawn out, turn the feed adjusting screw in the direction of “-”.

Problems and Warning Signals

If a buzzer sounds and the LCD display shows a warning sign, follow the guidance below.

Warning Sign	Cause	Try this
	<ol style="list-style-type: none"> The start/stop button is pressed with the foot control connected. The foot control is out of order. (The foot control sign keeps blinking.) 	<p>Disconnect the foot control.</p> <p>Contact the service center or the store from whom the machine was purchased.</p>
	<p>The bobbin winder spindle is shifted to the right.</p>	<p>Shift the bobbin winder spindle to the left for stitching.</p>
	<p>The machine will stop if the buttonhole is sewn without lowering the buttonhole lever.</p>	<p>Lower the buttonhole lever and start the machine again.</p>
	<p>The machine is started after halting due to overload.</p>	<p>Wait for at least 15 seconds to restart.</p> <p>Turn the power switch OFF.</p> <p>Remove tangled threads around take-up lever, hook race.</p>
<p>(E1-E7)</p> 	<p>The machine does not work properly due to a problem in the control circuit.</p>	<p>Contact the service center or the store from whom the machine was purchased.</p>

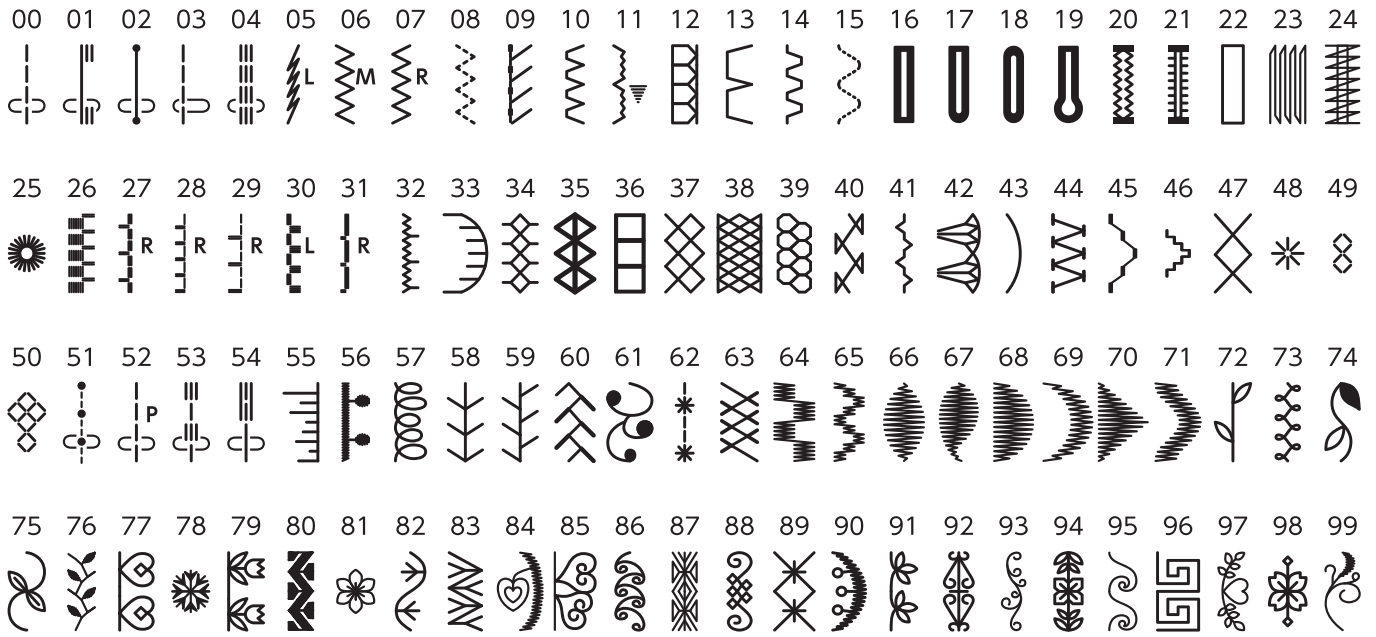
Audible Signal	The Buzzer sounds when:
pip	Normal operation.
pip-pip-pip	Invalid operation or malfunction.
peep	E1-E7 error occurred.
pip-pip-peep	Buttonhole is completed.

It is not abnormal that a faint humming sound comes out from inside the machine.
LCD display may get warm when the machine has been used for hours.

Troubleshooting

Condition	Cause	Reference
The needle thread breaks	<ol style="list-style-type: none"> 1. The needle thread is not threaded properly. 2. The needle thread tension is too tight. 3. The needle is bent or blunt. 4. The needle is incorrectly inserted. 5. The needle threads is not set under the presser foot when start sewing. 6. The thread is either too heavy or too fine for the needle. 	Page 21 Page 14-15 Page 17 Page 17 Page 27 Page 17
The bobbin thread breaks	<ol style="list-style-type: none"> 1. The bobbin thread is not threaded properly in the bobbin holder. 2. Lint has collected in the bobbin holder. 3. The bobbin is damaged and does not turn smoothly. 4. The thread is wound loosely on the bobbin. 	Page 20 Page 62 Change the bobbin. Page 19
The needle breaks	<ol style="list-style-type: none"> 1. The needle is incorrectly inserted. 2. The needle clamp screw is loose. 3. The threads were not drawn to the rear after sewing. 4. The needle is too fine for the fabric being used. 5. An inappropriate presser foot is used. 	Page 17 Page 17 Page 27 Page 17 Use the correct foot.
Skipped stitches	<ol style="list-style-type: none"> 1. The needle is incorrectly inserted, bent or blunt. 2. The needle and/or threads are not suitable for the work being sewn. 3. A blue tip needle is not being used for sewing stretch, very fine fabrics and synthetics. 4. The needle thread is not threaded properly. 5. A poor quality needle is used. 	Page 17 Page 17 Use the stretch stitch needle. Page 21 Change the needle.
Seam puckering	<ol style="list-style-type: none"> 1. The needle thread tension is too tight. 2. The needle thread is not threaded properly. 3. The needle is too heavy for the fabric being sewn. 4. The stitch length is too long for the fabric. 5. A stabilizer is not used when sewing very fine fabrics. 	Page 14-15 Page 21 Page 17 Make stitch shorter. Apply a stabilizer.
The fabric is not feeding smoothly	<ol style="list-style-type: none"> 1. The feed dog is packed with lint. 2. The stitches are too fine. 3. The feed dog is not raised after "drop feed" sewing. 	Page 62 Make stitch longer. Page 16
Loops on the seams	<ol style="list-style-type: none"> 1. The needle thread tension is too loose. 2. The needle is too thick or too fine for the fabric. 	Page 14-15 Page 17
The machine does not work	<ol style="list-style-type: none"> 1. The machine is not plugged in. 2. Thread has been caught in the hook race. 3. The bobbin winder spindle is not returned to the left after bobbin winding. 	Page 7-8 Page 62 Page 19
Buttonhole sewing is not sewn properly	<ol style="list-style-type: none"> 1. The stitch density is not suitable for the fabric being sewn. 2. The interfacing has not been used for the stretch or synthetic fabric. 3. The buttonhole lever is not lowered. 	Page 39 Apply an interfacing. Page 38
The machine is noisy	<ol style="list-style-type: none"> 1. Thread has been caught in the hook race. 2. Lint has built up in the hook race or bobbin holder. 	Page 62 Page 62
Auto thread cutting failed	<ol style="list-style-type: none"> 1. Thread is too thick for the auto thread cutting. 2. Threads have been caught in the thread cutter mechanism. 	Page 27 Page 62

Stitch Chart



EC DECLARATION OF CONFORMITY

This machine complies with the following regulations:

EN 60335-1: 2012; A11

EN 60335-2-28: 2003; A1

EN 62233: 2008

EN 55014-1: 2006; A1; A2

EN 55014-2: 2015

EN 61000-3-2: 2014

EN 61000-3-3: 2013

Supplier: Elna International Corp. SA
Address: Rue Veyrot 14 CH - 1217 Meyrin Switzerland

